

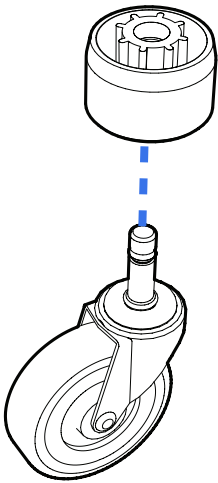
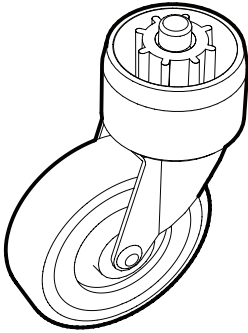
PRODUCT INSTRUCTIONS

Swivel Casters

FORMUFIT Swivel Casters connect to FORMUFIT Caster Pipe Caps or Caster Fitting Inserts to add wheels to a project. FORMUFIT Swivel Casters are grip-ring stem casters and are the simplest option to add and remove wheels. They are available with or without a brake. Follow the instructions below to connect casters to pipe caps or caster inserts:

Connecting to Caster Pipe Caps

To connect a FORMUFIT Swivel Caster to a Caster Pipe Cap, perform the following:

<p>1</p> 	<p>2</p> 
<p>Insert the stem of the caster into the hole on the bottom (smooth end) of the Caster Pipe Cap.</p>	<p>If needed, use a hammer and gently tap into place until the grip ring appears on the opposite end of the cap.</p>

Connecting to Caster Fitting Inserts

To connect a FORMUFIT Swivel Caster to a Caster Fitting Insert, perform the following:

