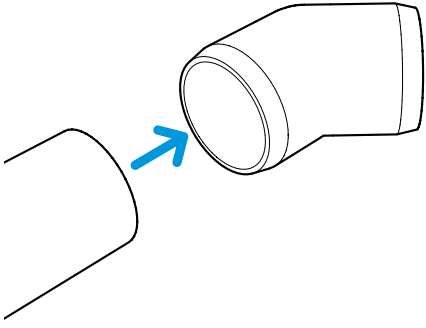
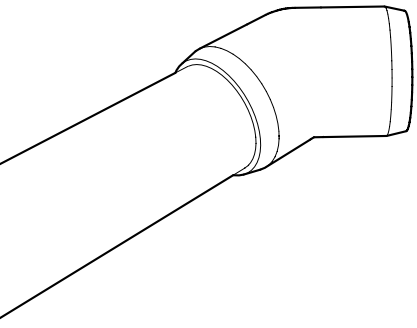


PRODUCT INSTRUCTIONS

45 Degree PVC Fitting

FORMUFIT 45 Degree PVC Fittings can accept up to two (2) segment of PVC pipe and can be used to create 45 degree angles in PVC pipe projects. To connect this product to PVC pipe, follow the instructions shown below.

Assembly

<p>1</p> 	<p>2</p> 
<p>Slip a segment of PVC pipe inside one of the sockets on the 45 Degree fitting.</p>	<p>Push or tap into place until the pipe hits the stop inside of the socket. Repeat for each additional socket.</p>

Securing

For permanent and strong connections, it is recommended to use PVC cement/solvent to attach the PVC pipe and 45 Degree PVC Elbow fitting.

You can also temporarily connect this fitting by driving a self-tapping screw where the pipe and fitting meet, or apply electrical tape over the end of the pipe before inserting into the fitting for a temporary, yet strong connection.