

PRODUCT INSTRUCTIONS

Internal Adjustable Elbow

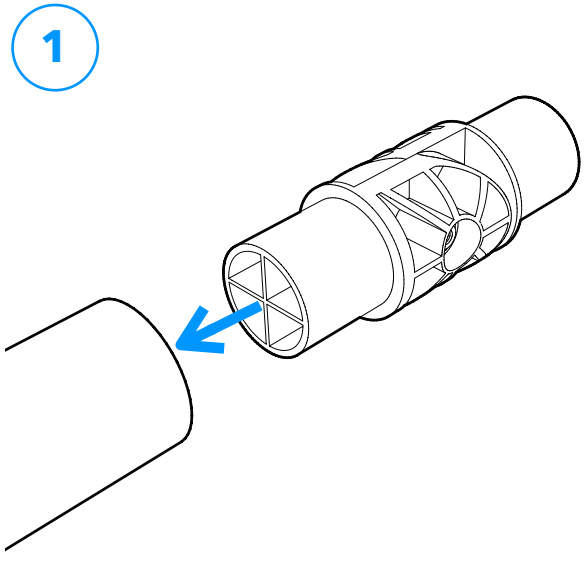
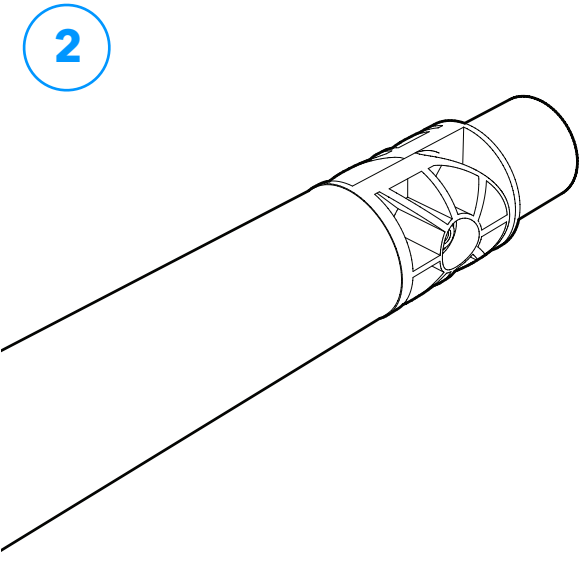
FORMUFIT Internal Adjustable Elbows connect two (2) segments of PVC Pipe and adjusts to any angle between 90° and 270°. To connect this product to PVC pipe, follow the instructions shown below.



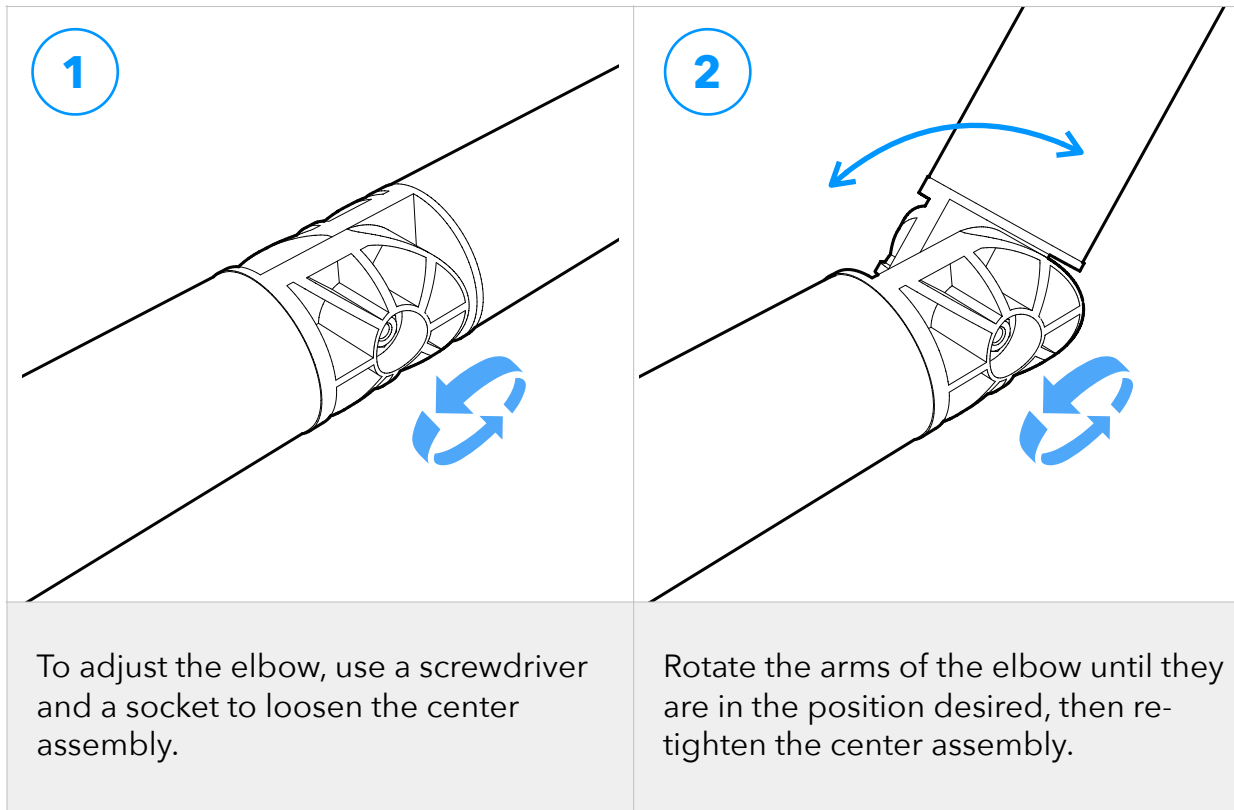
Internal-fit products are designed to work with Schedule 40 PVC pipe only.

This product will not work with Schedule 80, Class 80 or Thinwall pipe.

Assembly

	
<p>Line up and insert one end of the adjustable elbow inside a Schedule 40 PVC pipe segment. PVC cement or screws should be used to connect the internal adjustable elbow.</p>	<p>Push or tap into place until the outside of the pipe is fully seated. Repeat for the next pipe segment on the opposite side of the fitting. Again, secure in place with PVC cement or screws.</p>

Usage and Adjustment



Securing

For all connections, it is required to use PVC cement/solvent to attach the PVC pipe and the internal adjustable elbow.

You can also temporarily connect fitting by driving a self-tapping screw where the pipe and cap meet, or apply electrical tape over the end of the internal fit component for a temporary, yet strong connection.