

## PRODUCT INSTRUCTIONS

# Internal Adjustable Elbow

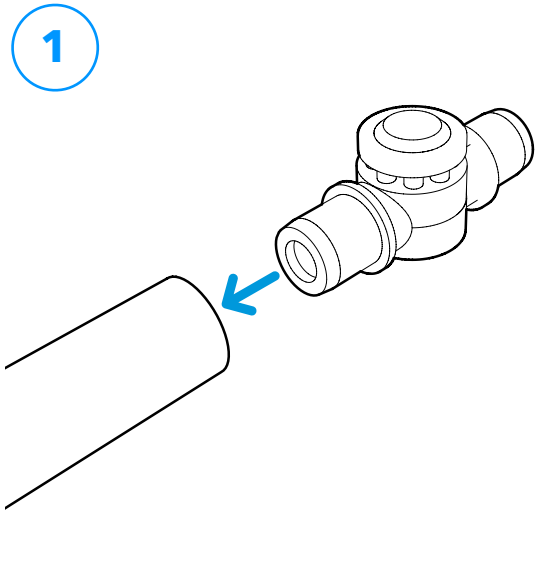
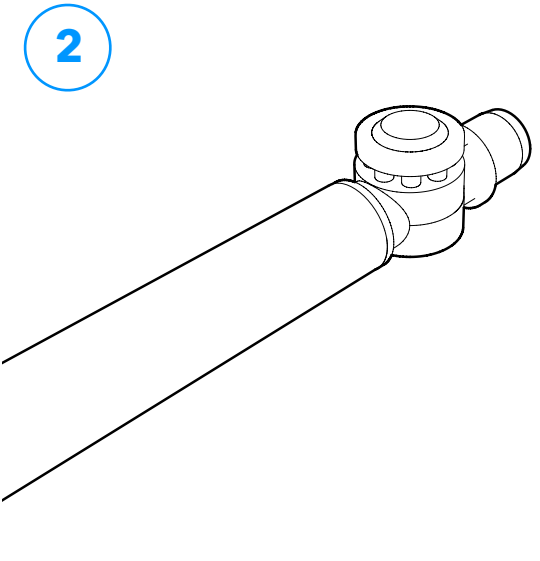
FORMUFIT Internal Adjustable Elbows connect two (2) segments of PVC Pipe and adjusts to any angle between 90° and 270°. To connect this product to PVC pipe, follow the instructions shown below.



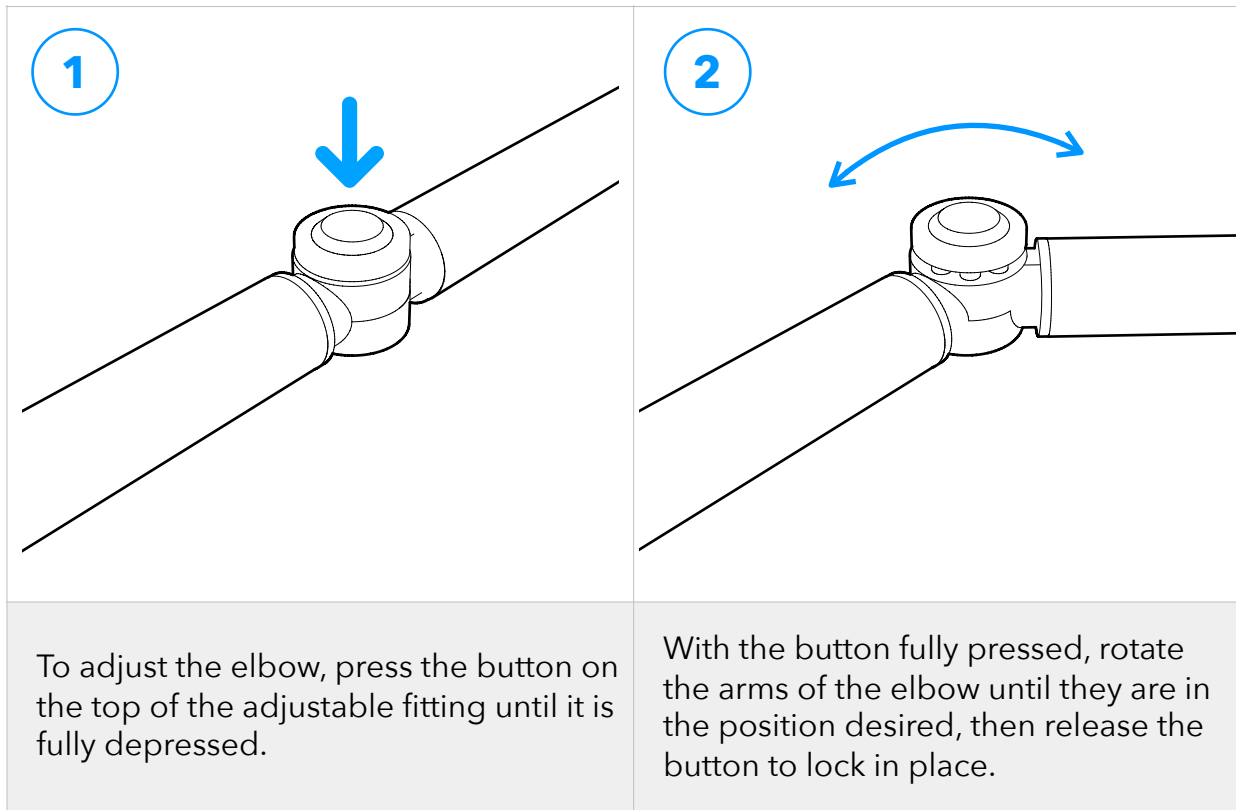
**Internal-fit products are designed to work with Schedule 40 PVC pipe only.**

This product will not work with Schedule 80, Class 80 or Thinwall pipe.

## Assembly

	
<p>Line up and insert one end of the adjustable elbow inside a Schedule 40 PVC pipe segment.</p>	<p>Push or tap into place until the outside of the pipe is fully seated. Repeat for the next pipe segment on the opposite side of the fitting.</p>

## Usage and Adjustment



## Securing

For permanent and strong connections, it is recommended to use PVC cement/solvent to attach the PVC pipe and the internal adjustable elbow.

You can also temporarily connect fitting by driving a self-tapping screw where the pipe and cap meet, or apply electrical tape over the end of the internal fit component for a temporary, yet strong connection.