

## PRODUCT INSTRUCTIONS

# Internal PVC Coupling

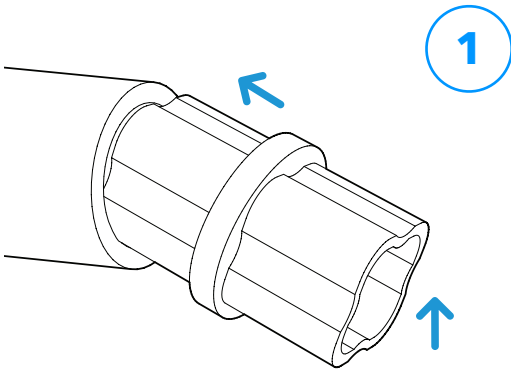
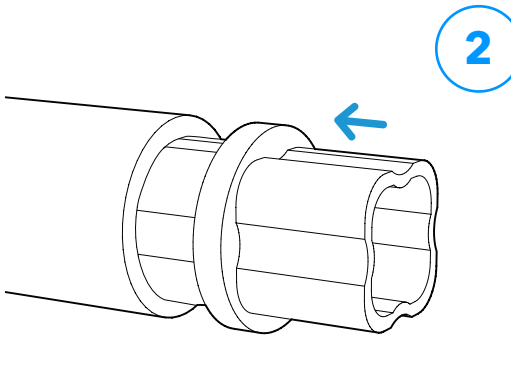
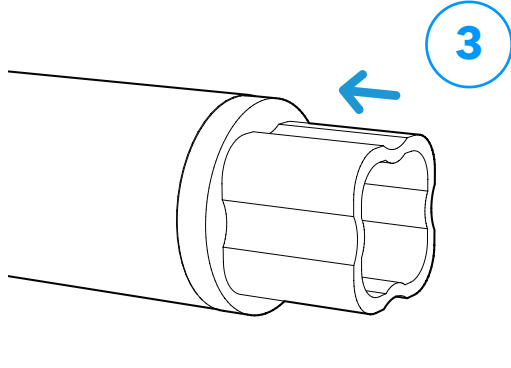
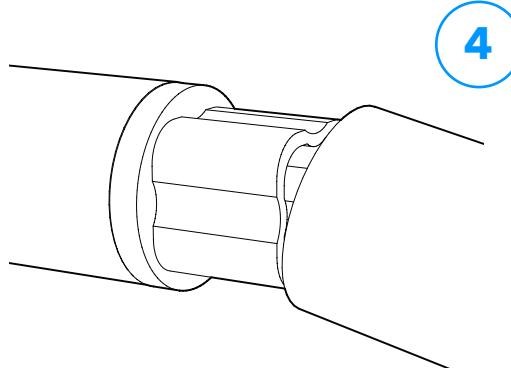
FORMUFIT Internal Couplings connect two (2) segments of PVC Pipe inline to create longer lengths of pipe. To connect this product to PVC pipe, follow the instructions shown below.



**Internal-fit products are designed to work with Schedule 40 PVC pipe only.**

This product will not work with Schedule 80, Class 80 or Thinwall pipe.

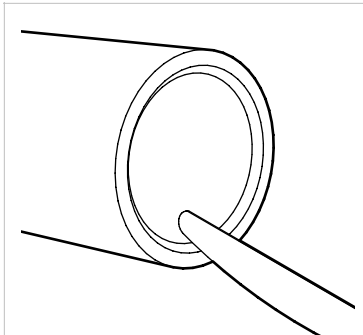
## Assembly

	
<p>Insert the internal coupling into a segment of PVC pipe at a 15°-20° angle.</p>	<p>Rotate the coupling upwards as you press it into the PVC pipe segment.</p>
	
<p>Tap the Internal Coupling into place until it is fully seated against the edge of the pipe.</p>	<p>Connect the second segment of PVC pipe in the same manner, by tilting and inserting until pressed into place.</p>

## Dealing with Pipe Variances

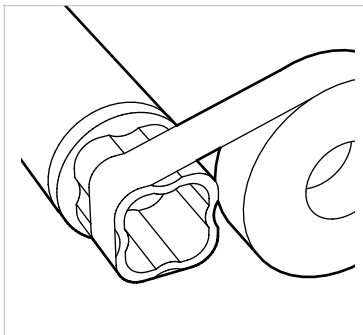
Internal-fit PVC fittings, accessories and couplers attach to the inside diameter of Schedule 40 PVC pipe. ASTM standards allow for a larger variance in the inside diameter of PVC pipe from manufacturers and often times the inner diameter may be too large, or even too small to accept the internal-fit fitting or accessory. To remedy this, do one of the following steps to resolve the issue:

### THE PIPE INNER DIAMETER IS TOO SMALL:



Run a kitchen knife or blunt object around the edge of the inner diameter of the pipe to taper it. This will allow easier insertion of the internal-fit item into the pipe.

### THE PIPE INNER DIAMETER IS TOO LARGE:



Use PVC cement to connect the internal-fit fitting into the pipe for a permanent connection.

As a temporary connection, wrap electrical tape around the end of the internal fit fitting/accessory, then insert it into the PVC pipe.

## Securing

For permanent and strong connections, it is recommended to use PVC cement/solvent to attach the PVC pipe and the internal coupling.

You can also temporarily connect the coupler by driving a self-tapping screw where the pipe and cap meet, or apply electrical tape over the end of the internal fit component for a temporary, yet strong connection.