

## PRODUCT INSTRUCTIONS

# Internal Dome Cap

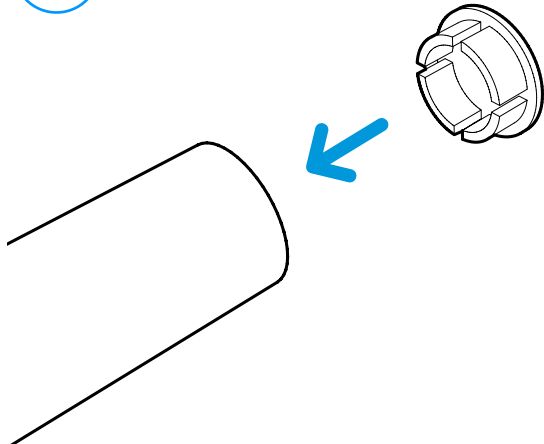
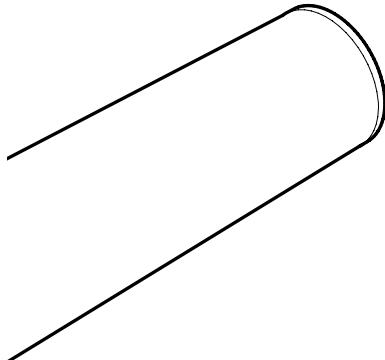
FORMUFIT Internal Dome Caps connect to Schedule 40 PVC Pipe and leaves a smooth, flush, domed end. To connect this product to PVC pipe, follow the instructions shown below.



**Internal-fit products are designed to work with Schedule 40 PVC pipe only.**

This product will not work with Schedule 80, Class 80 or Thinwall pipe.

## Assembly

<p><b>1</b></p> 	<p><b>2</b></p> 
<p>Insert the internal dome cap into the end of a segment of Schedule 40 PVC pipe</p>	<p>Tap or push into place until the dome cap is completely flush and inserted into the pipe.</p>

## Securing

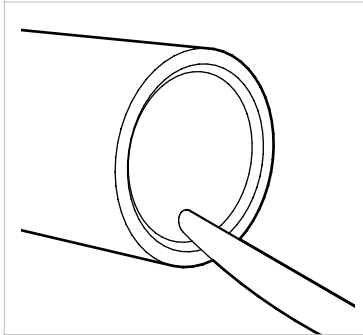
For permanent and strong connections, it is recommended to use PVC cement/solvent to attach the PVC pipe and the internal dome cap.

You can also temporarily connect the cap by driving a self-tapping screw where the pipe and cap meet, or apply electrical tape over the end of the internal fit component for a temporary, yet strong connection.

## Dealing with Pipe Variances

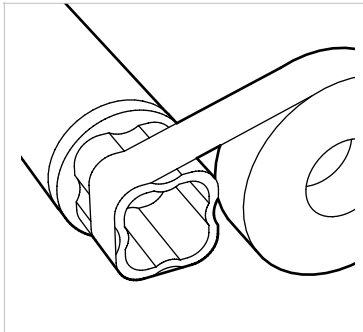
Internal-fit PVC fittings, accessories and couplers attach to the inside diameter of Schedule 40 PVC pipe. ASTM standards allow for a larger variance in the inside diameter of PVC pipe from manufacturers and often times the inner diameter may be too large, or even too small to accept the internal-fit fitting or accessory. To remedy this, do one of the following steps to resolve the issue:

### THE PIPE INNER DIAMETER IS TOO SMALL:



Run a kitchen knife or blunt object around the edge of the inner diameter of the pipe to taper it. This will allow easier insertion of the internal-fit item into the pipe.

### THE PIPE INNER DIAMETER IS TOO LARGE:



Use PVC cement to connect the internal-fit fitting into the pipe for a permanent connection.

As a temporary connection, wrap electrical tape around the end of the internal fit fitting/accessory, then insert it into the PVC pipe.