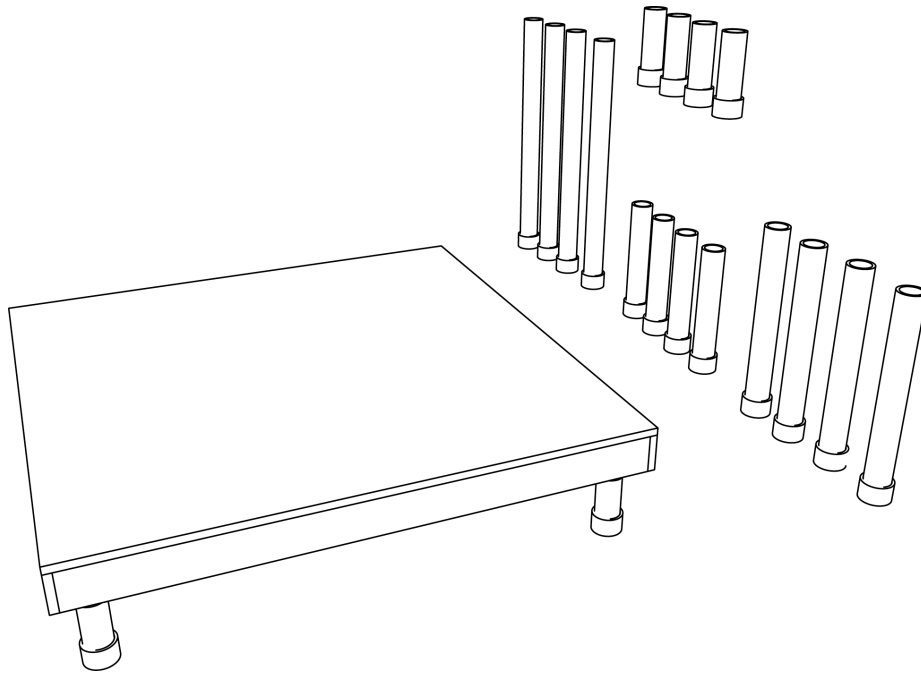


# PVC Dog Agility Pause Table

a FORMUFIT PVC Plan





Important information.  
Read carefully.  
Keep this information for further  
reference.

## **WARNING**

**Serious or fatal injuries can occur from using power tools when cutting PVC pipe. Be sure to read and understand the instructions that came with your power tools before using them.**

**PVC cement is a noxious chemical that should be used in a well ventilated area. If you become dizzy, light-headed or disoriented, move to fresh air.**

## **Legal**

**DISCLAIMER:** The information provided within this manual is for informational purposes only. FORMUFIT accepts no responsibility, and is excluded from all liability for damage and/or loss which may be suffered by any other party as a result of using or in connection with such use or loss of use of this information, including but not limited to loss of profit, loss of opportunity, loss of business, indirect damages, incidental damages, special or consequential loss, injury or loss of life.

## **Additional Information**

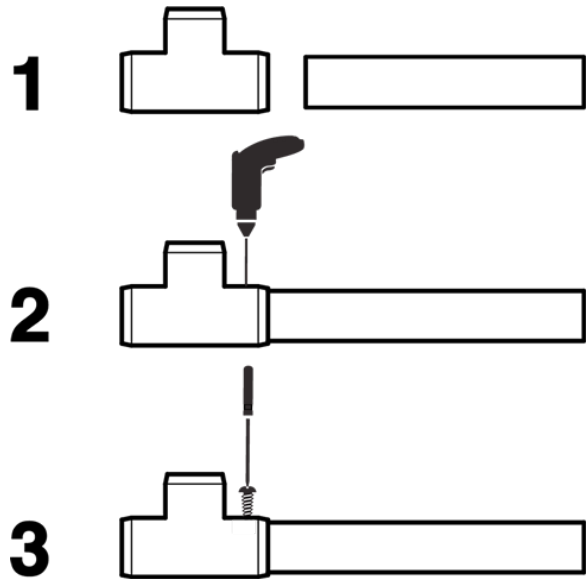
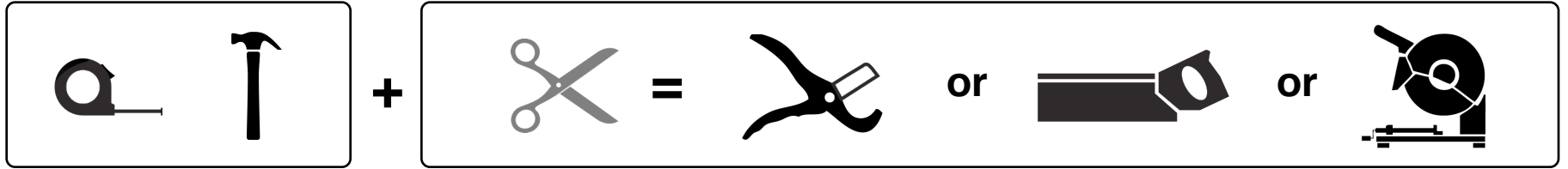
For additional information on how to cut, prepare and assemble PVC, please review our FORMUFIT PVC Field Manuals available at:

<http://www.formufit.com/guides>

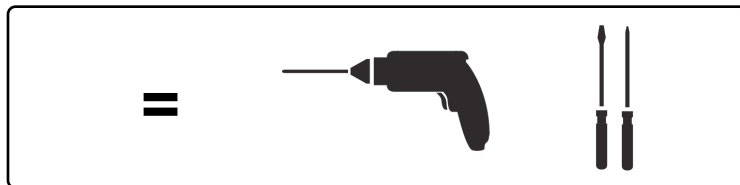
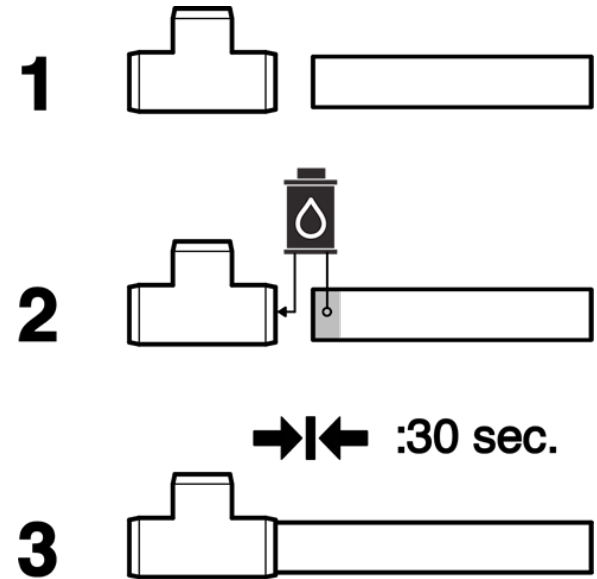
To order fittings, connectors, pipe or accessories for this project, visit FORMUFIT online at:

<http://www.formufit.com>

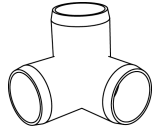
# Tools



or



# Parts



1-1/4" 3-WAY  
F1143WE

**4x**



1-1/4" EXT. CAP  
F114EEC

**16x**



3/4" WOOD  
SCREW

**30x**

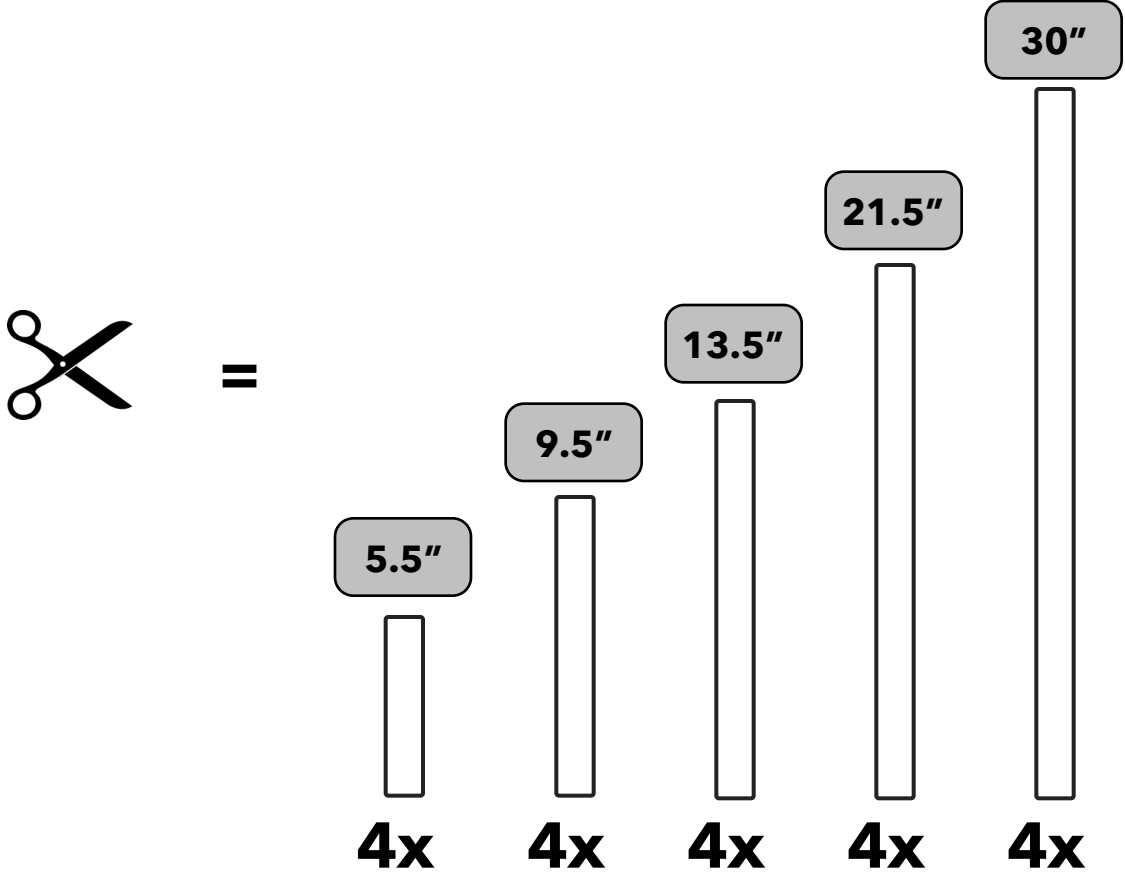


4x4 1/2"  
PLYWOOD/MDF  
SHEET

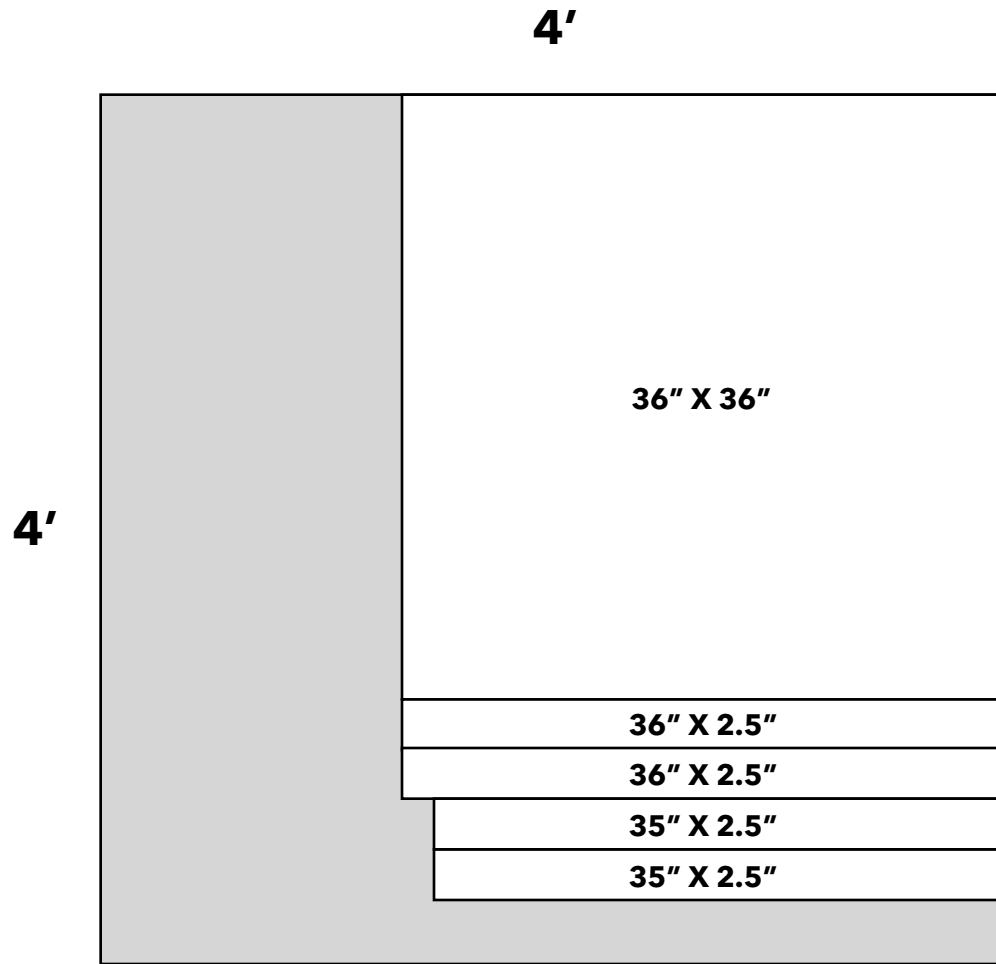
**1x**

# Pipe


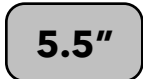
 = 1-1/4" (1.660)       = 30 ft. (3x 10')

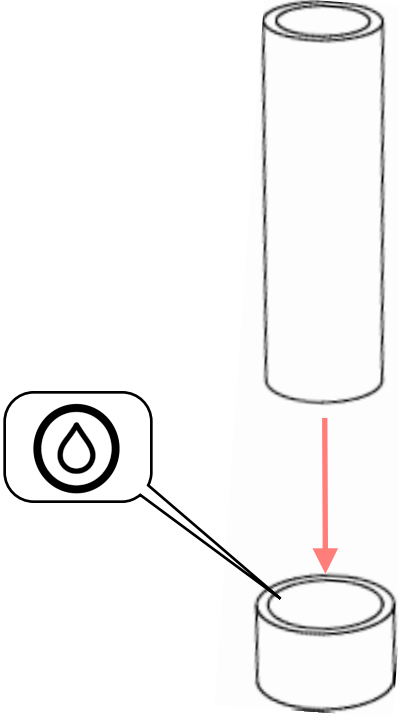


# Wood Cutting Guide



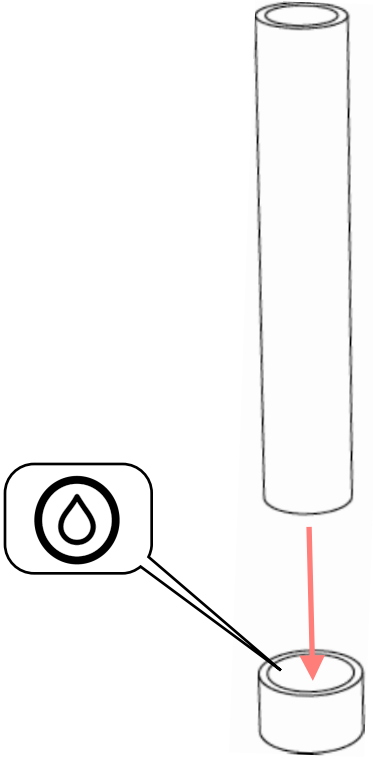
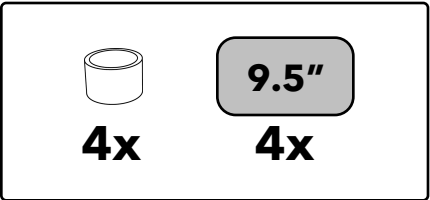
**1**

	
<b>4x</b>	<b>4x</b>



**= 4x**


**2**

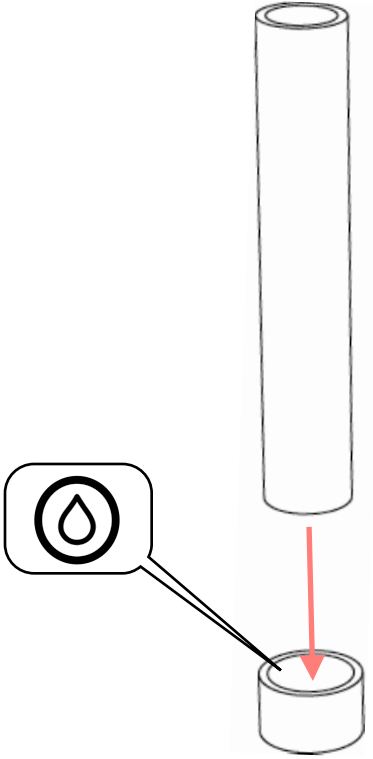


**= 4x**



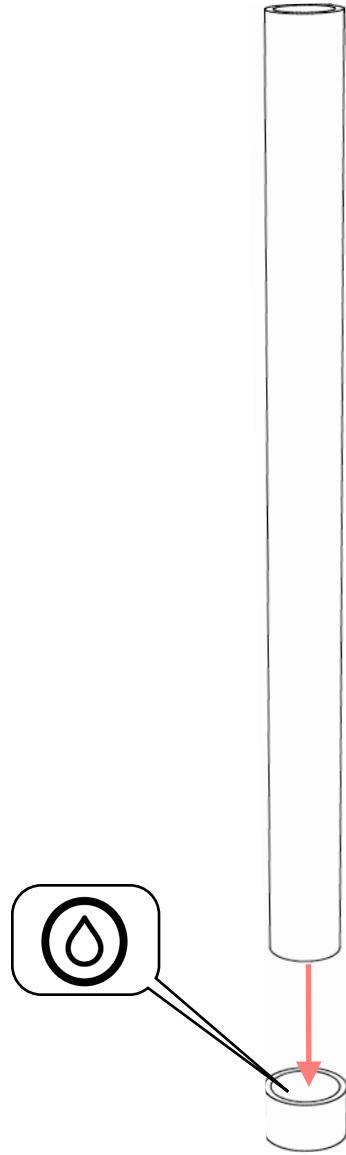
**3**

	<b>13.5"</b>
<b>4x</b>	<b>4x</b>

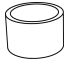
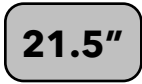


**= 4x**

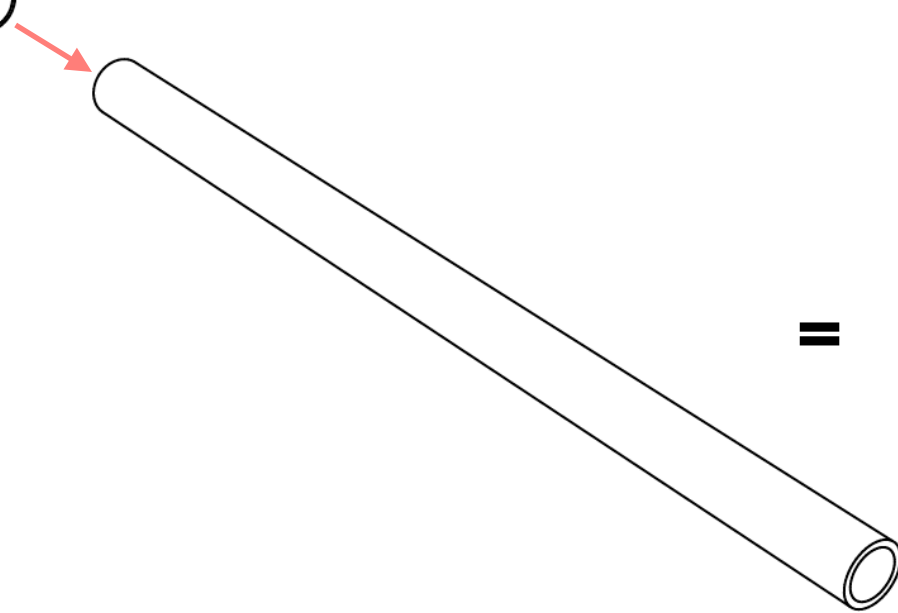
4



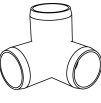
= 4x

	
4x	4x

**5**



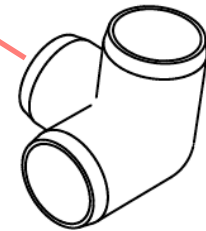
**=**



**4x**

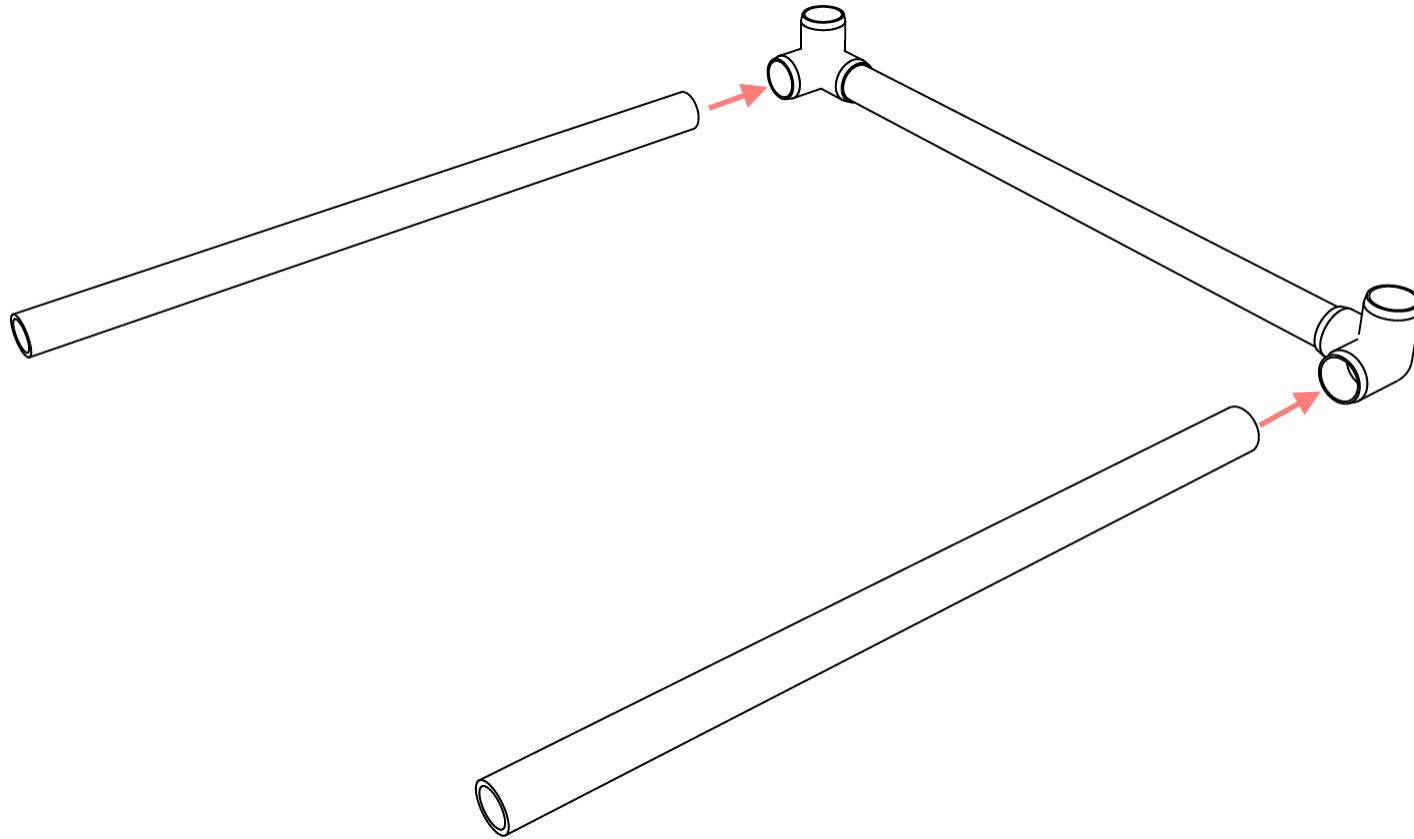
**30"**

**2x**

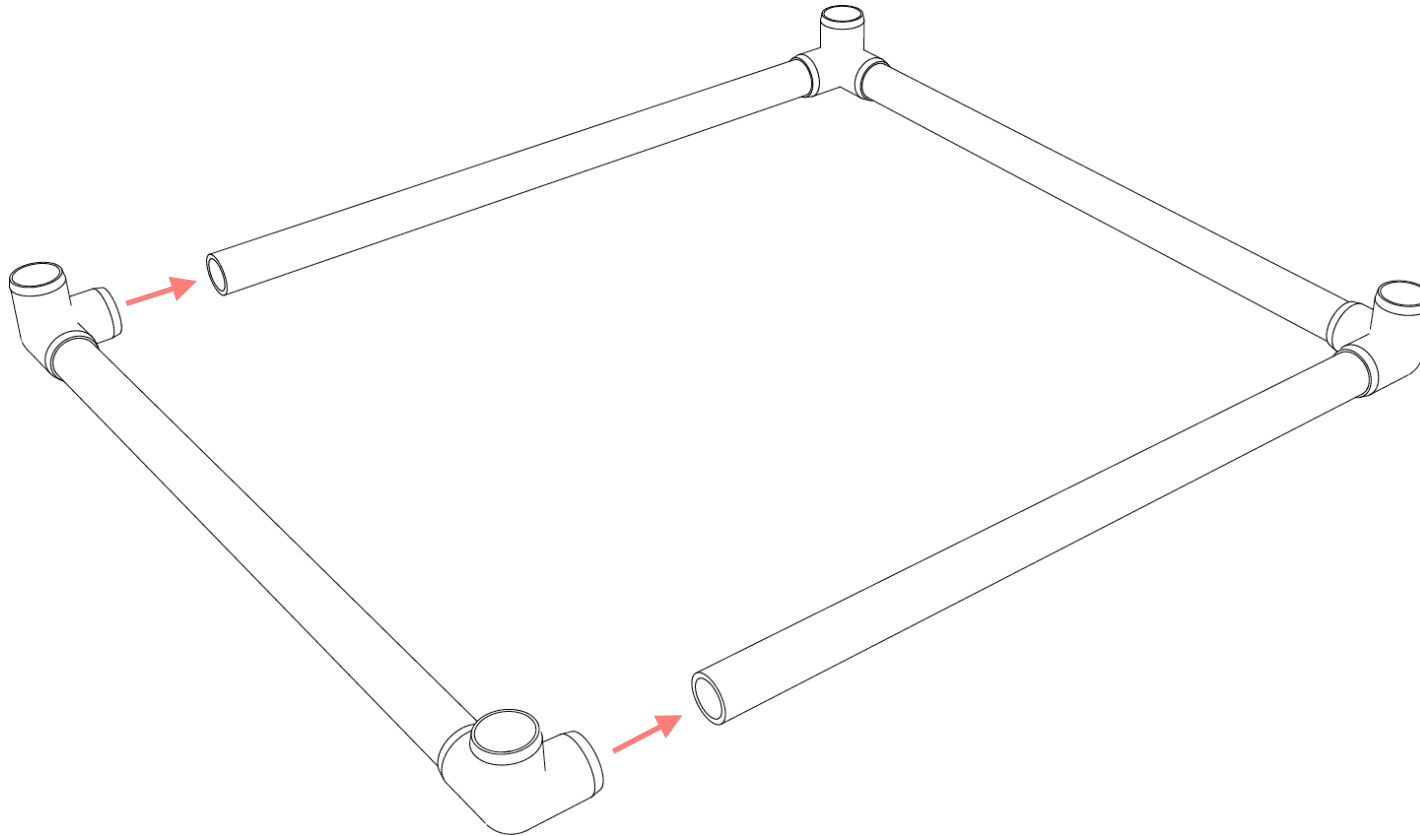
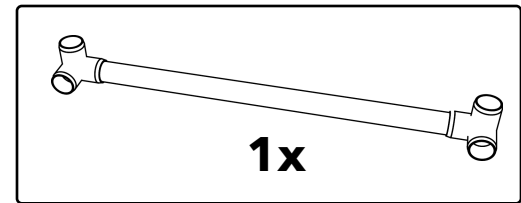


6

30"  
2x



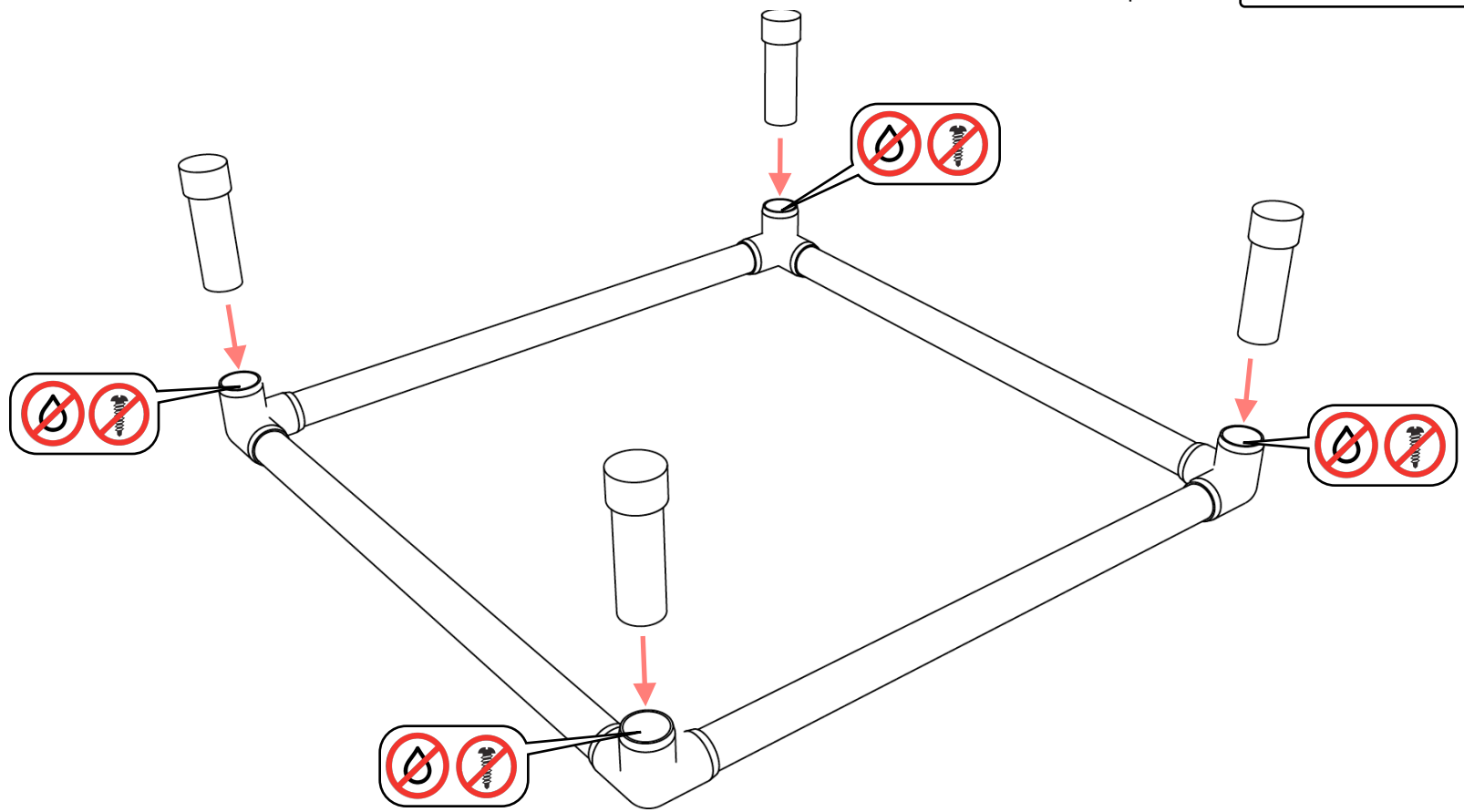
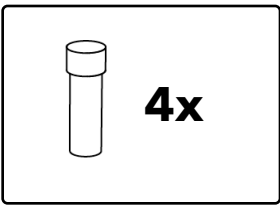
**7**




8

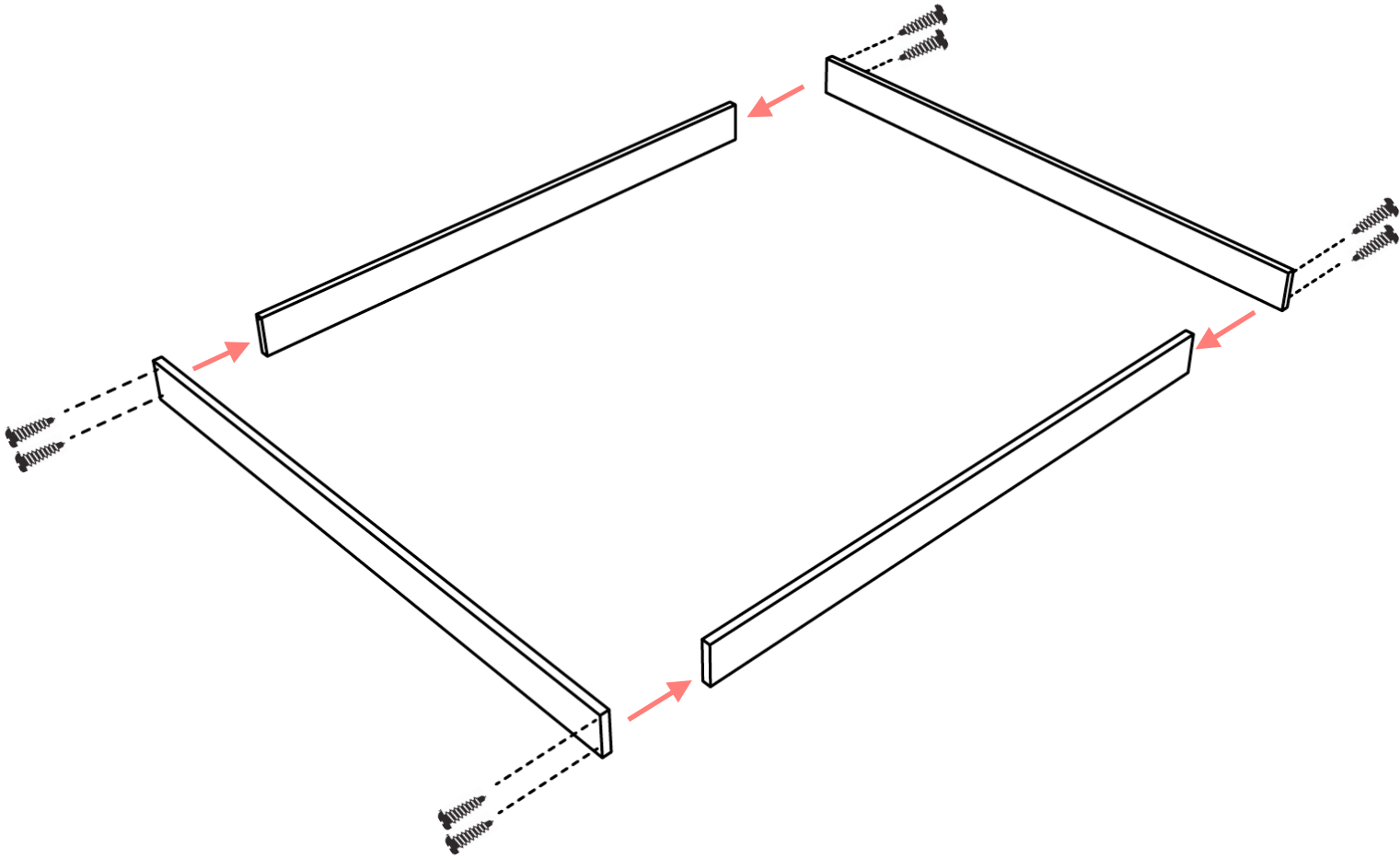


Do not cement or screw into place.




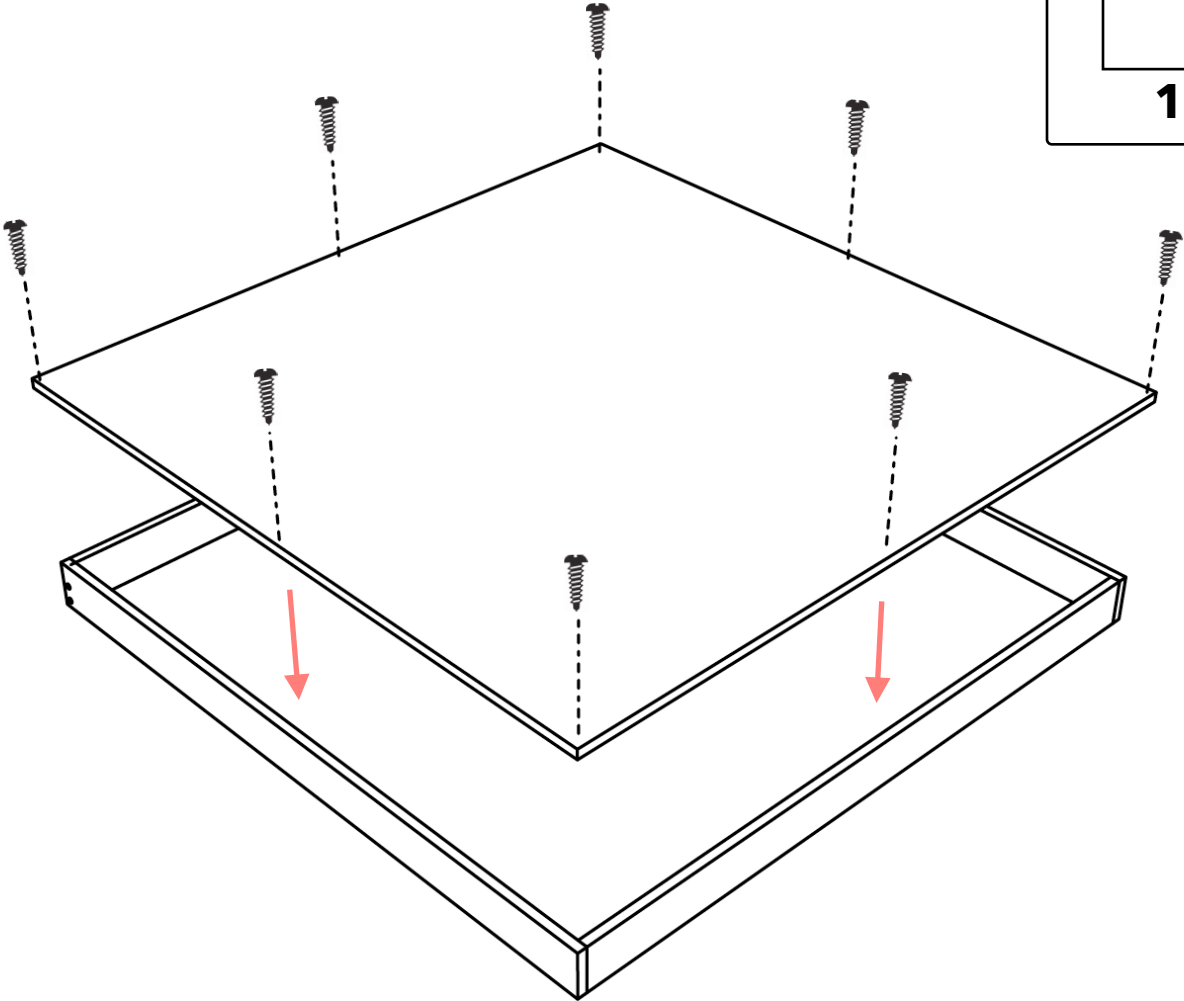
9

36" x 2.5"	2x	
35" x 2.5"	2x	8x



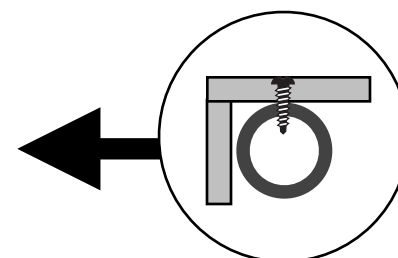
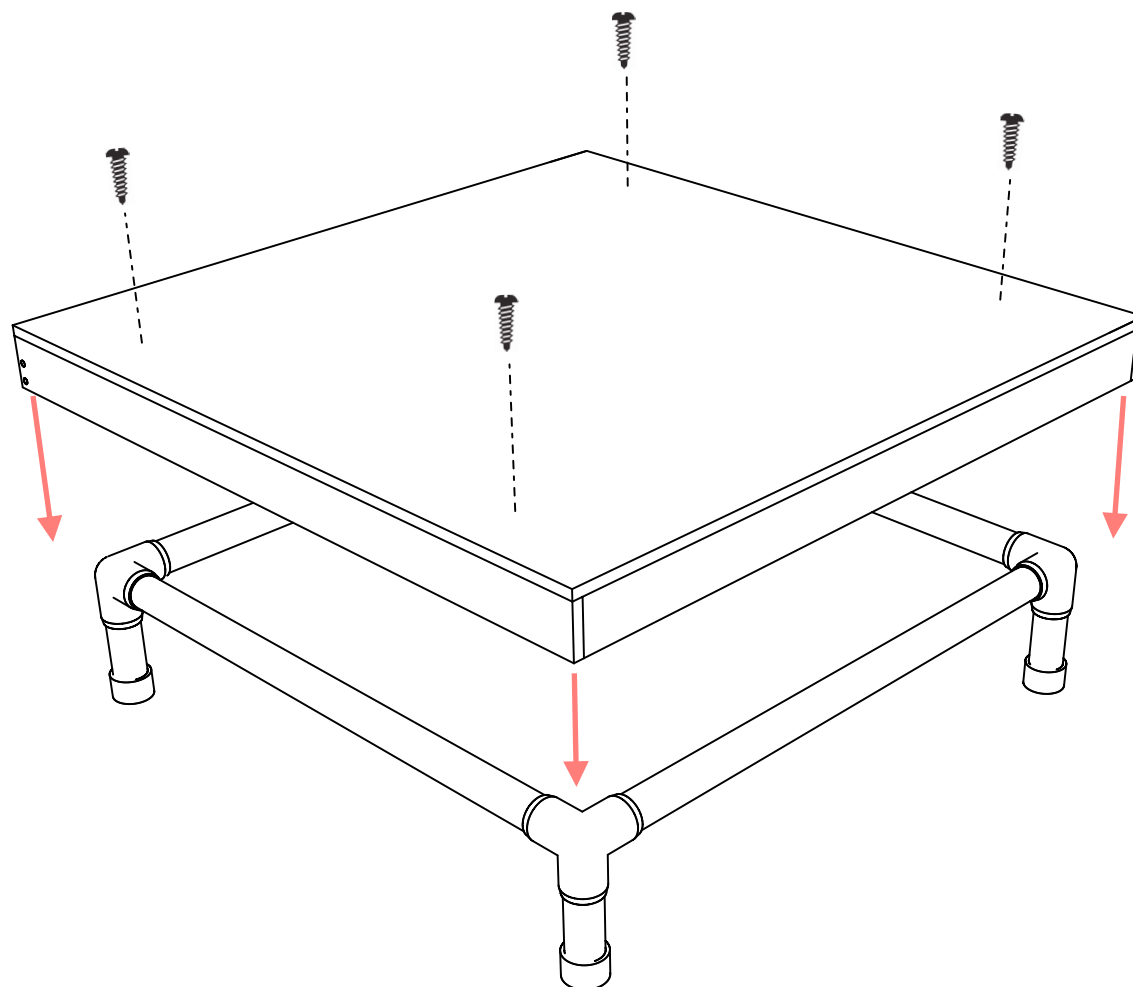
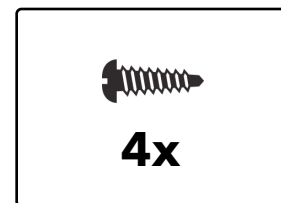
**10**

36" x 36"	
<b>1x</b>	<b>8x</b>

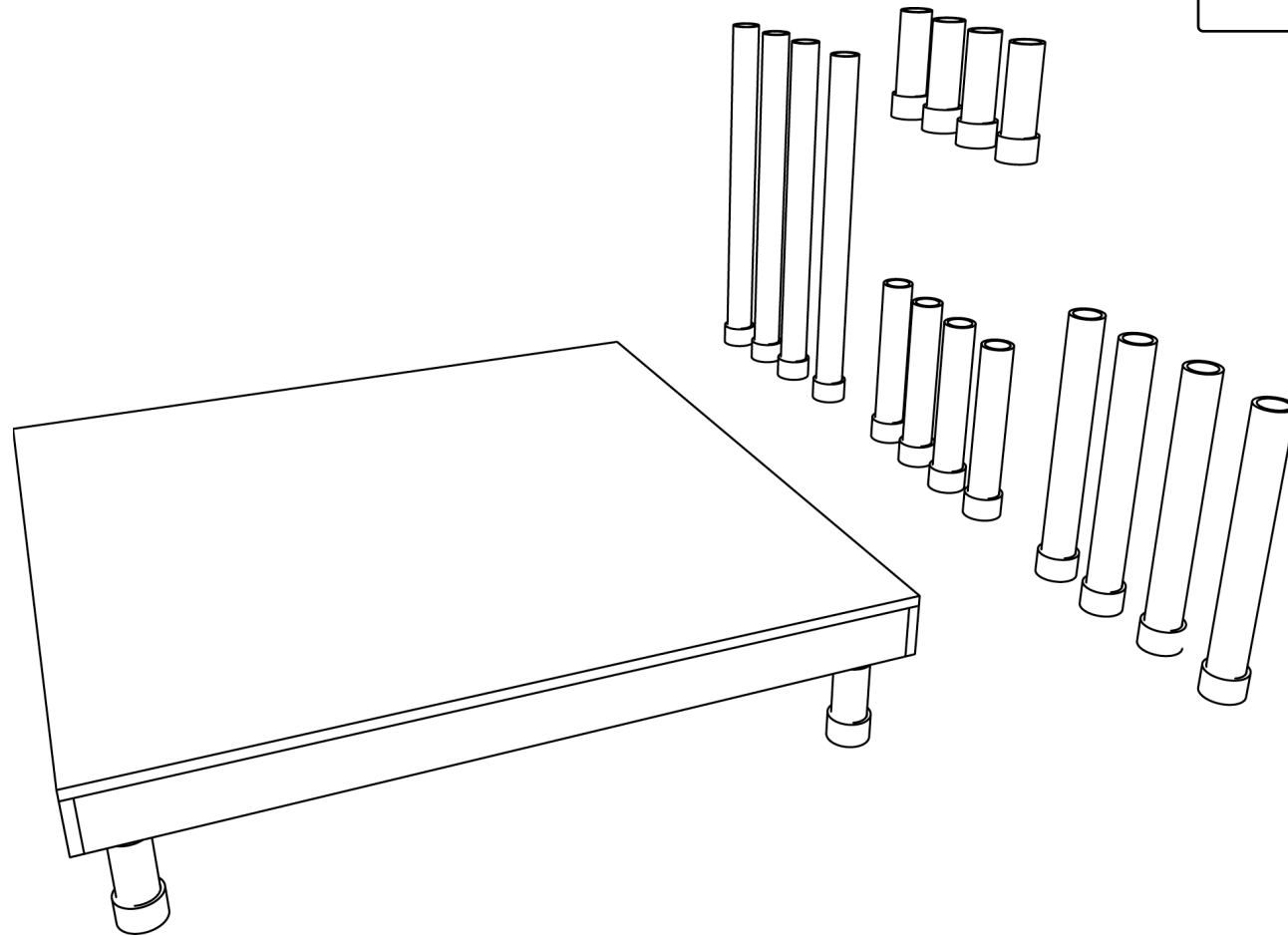




11



12



# Operation

## Table Height Adjustment

The legs of the table are interchangeable, based upon the height of the obstacle requirement. Each leg places the table top at a specific height as described in the chart below:

PVC Leg Length	Table Top Height From Ground
5.5"	8"
9.5"	12"
13.5"	16"
21.5"	24"

To exchange the legs for a different size, simply rotate and pull each leg out until it is removed from the fitting.