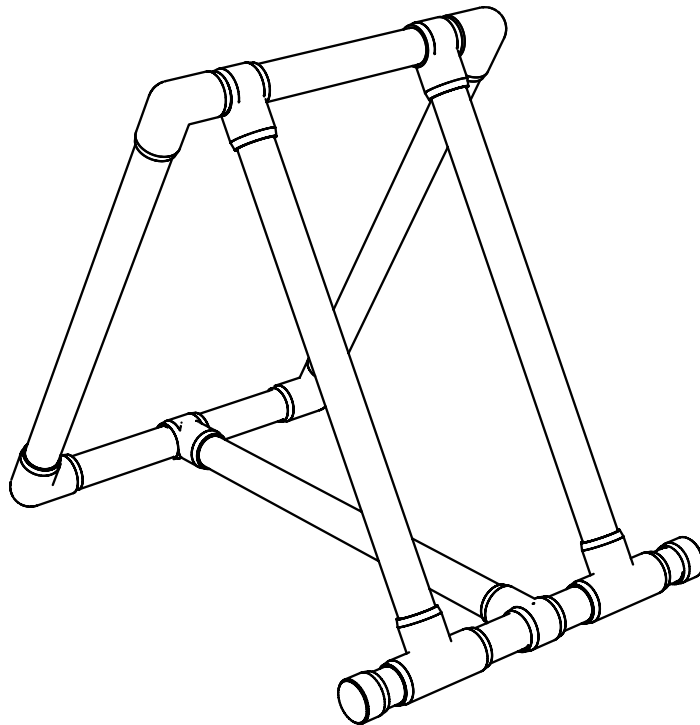


Dog Agility Seesaw Base

a FORMUFIT PVC Plan





Important information.
Read carefully.
Keep this information for further
reference.

WARNING

Serious or fatal injuries can occur from using power tools when cutting PVC pipe. Be sure to read and understand the instructions that came with your power tools before using them.

PVC cement is a noxious chemical that should be used in a well ventilated area. If you become dizzy, light-headed or disoriented, move to fresh air.

Legal

DISCLAIMER: The information provided within this manual is for informational purposes only. FORMUFIT accepts no responsibility, and is excluded from all liability for damage and/or loss which may be suffered by any other party as a result of using or in connection with such use or loss of use of this information, including but not limited to loss of profit, loss of opportunity, loss of business, indirect damages, incidental damages, special or consequential loss, injury or loss of life.

Additional Information

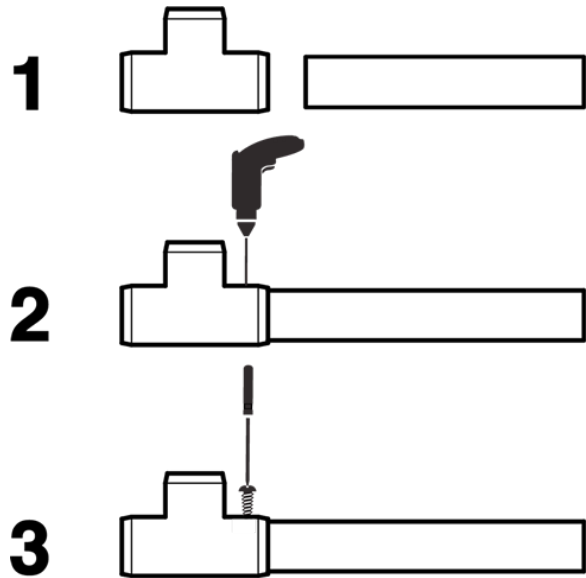
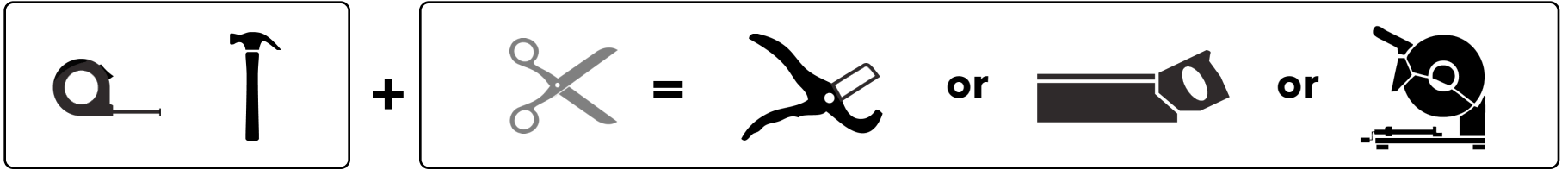
For additional information on how to cut, prepare and assemble PVC, please review our FORMUFIT PVC Field Manuals available at:

<http://www.formufit.com/guides>

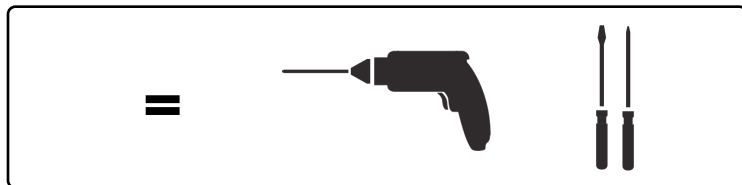
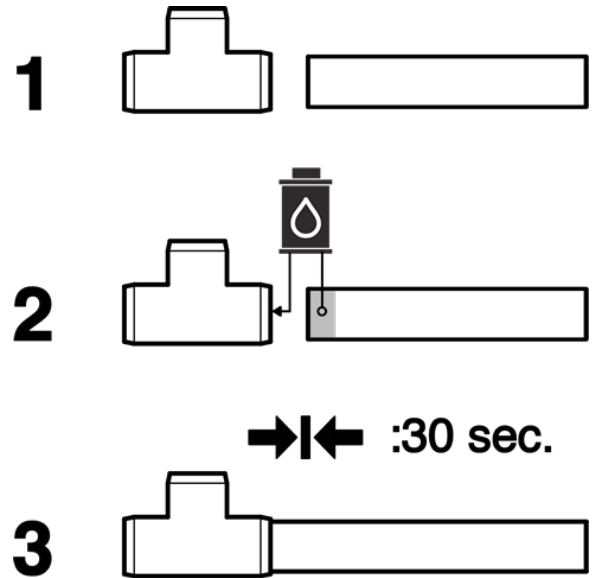
To order fittings, connectors, pipe or accessories for this project, visit FORMUFIT online at:

<http://www.formufit.com>

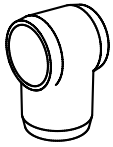
Tools



or

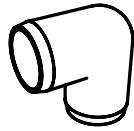


Parts



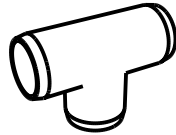
1-1/4" SLIP TEE
F114STE

4x



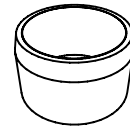
1-1/4" 90° ELBOW
F11490E

4x



1-1/4" TEE
F114TEE

2x



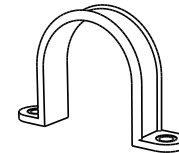
1-1/4" EXT CAP
F114EEC

2x



2x12 x 12'L PLYWOOD
BOARD*

1x



1-1/2" PIPE STRAP*

2x





3/4" L SELF-TAPPING
SCREWS*

6x

*Not sold by FORMUFIT, but available at any home center or hardware store.

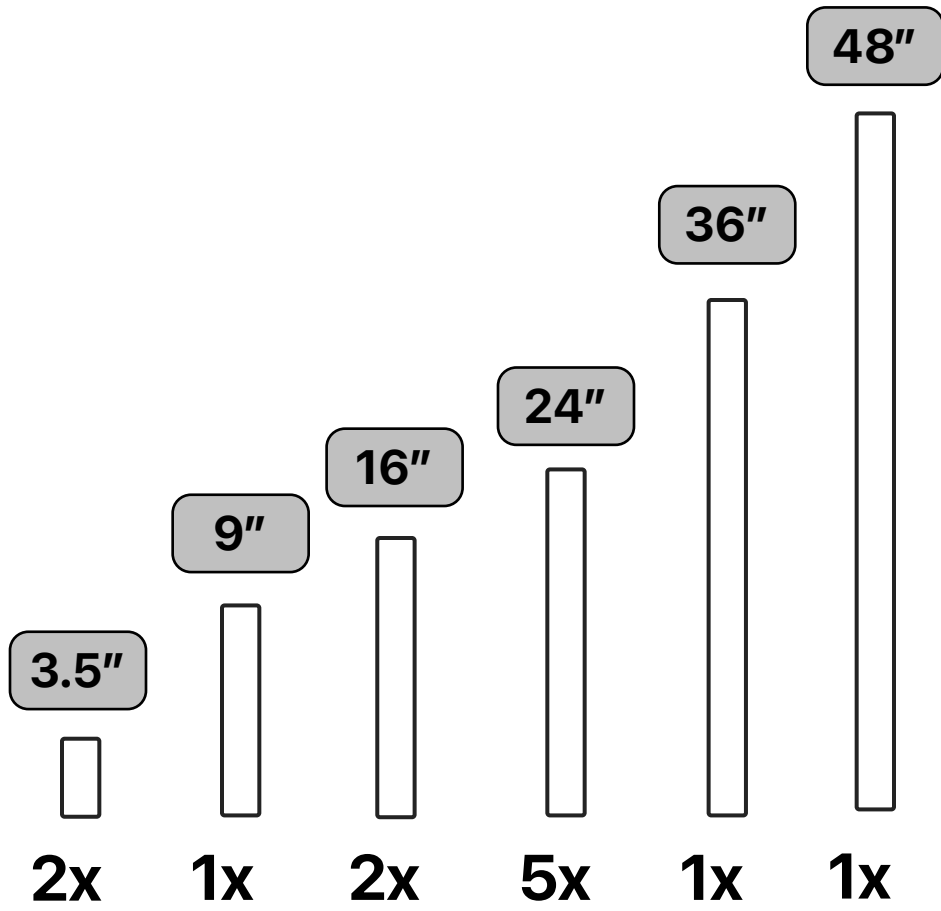
Pipe

 = 1-1/4" (1.660" OD)




 = @ 30 ft. (3x 10')

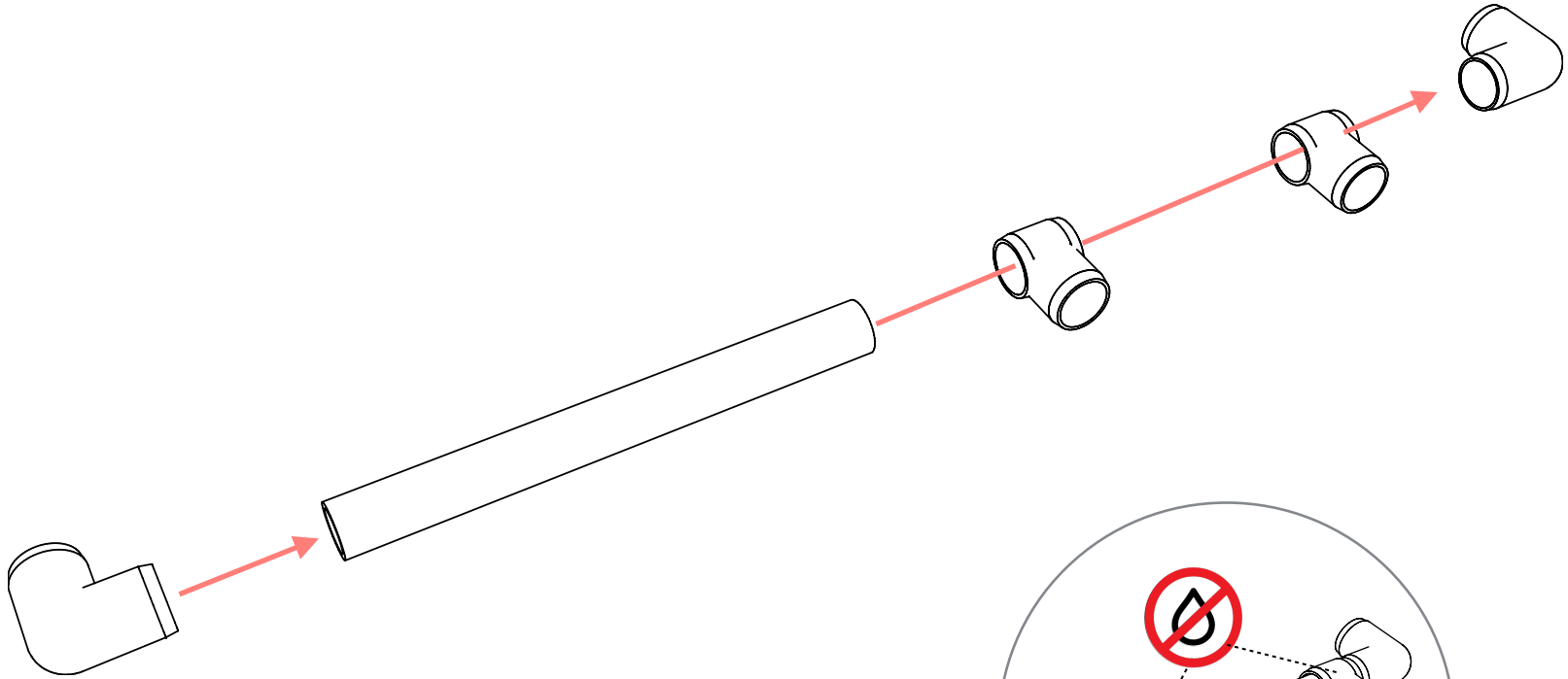


=

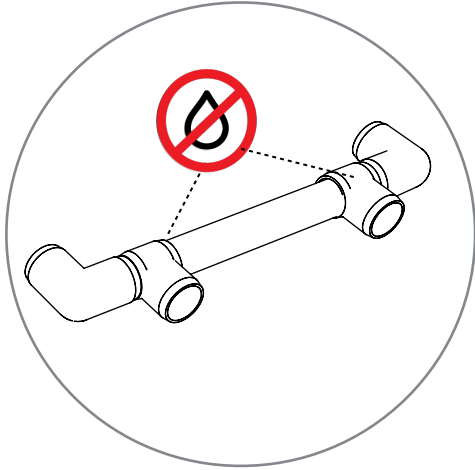


1

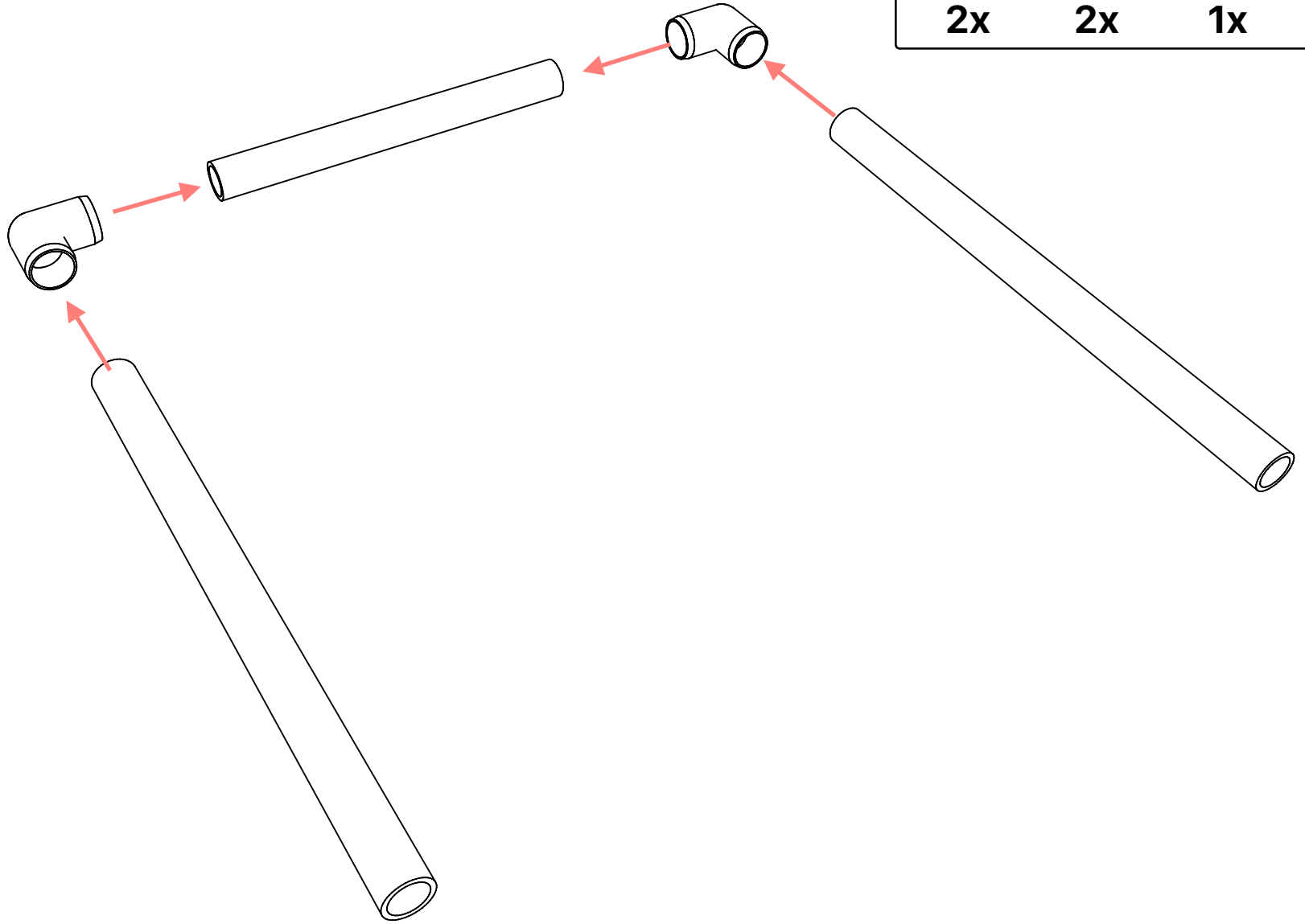
 2x	 2x	 1x
---	---	---



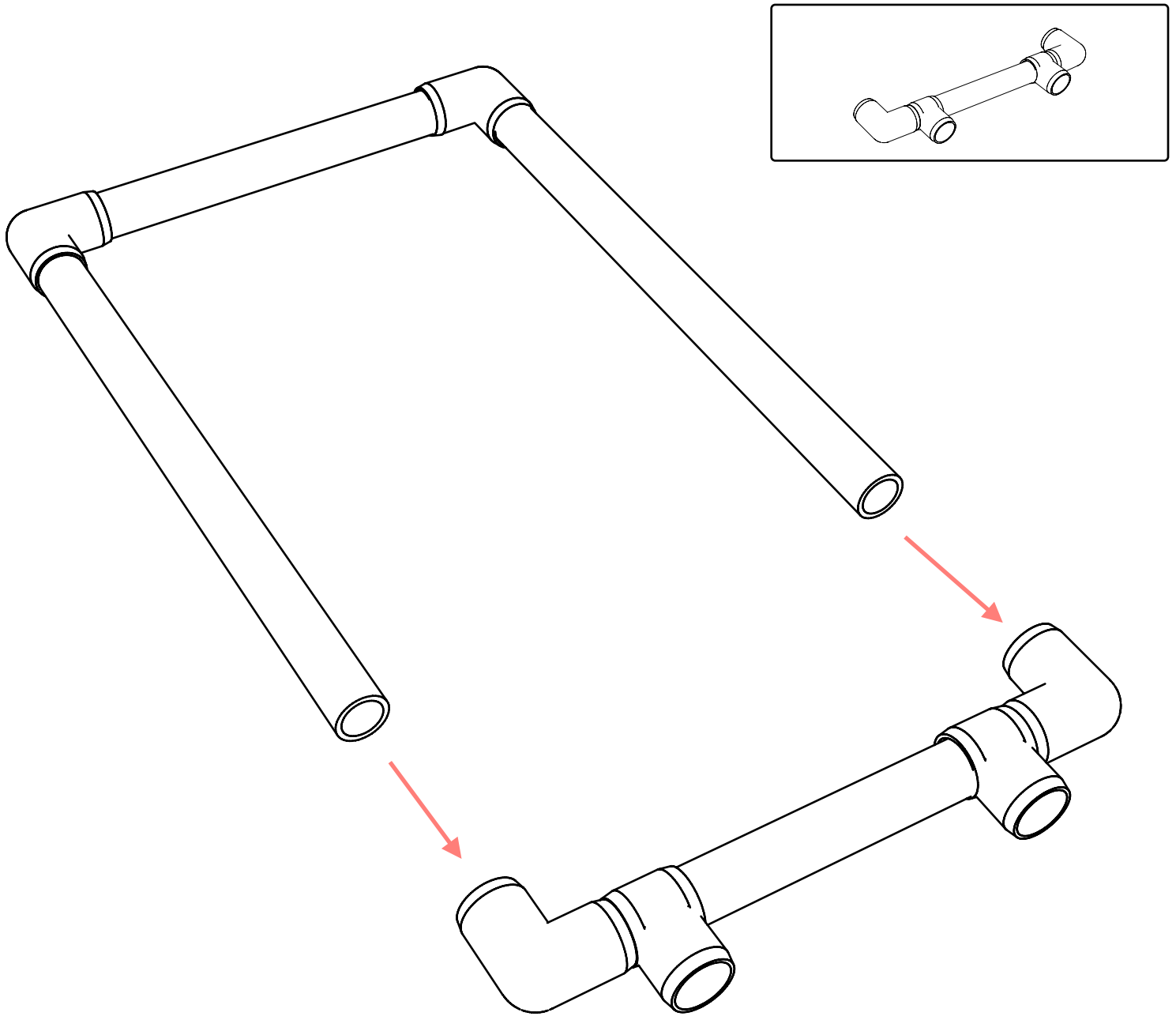
=




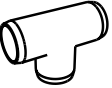

2

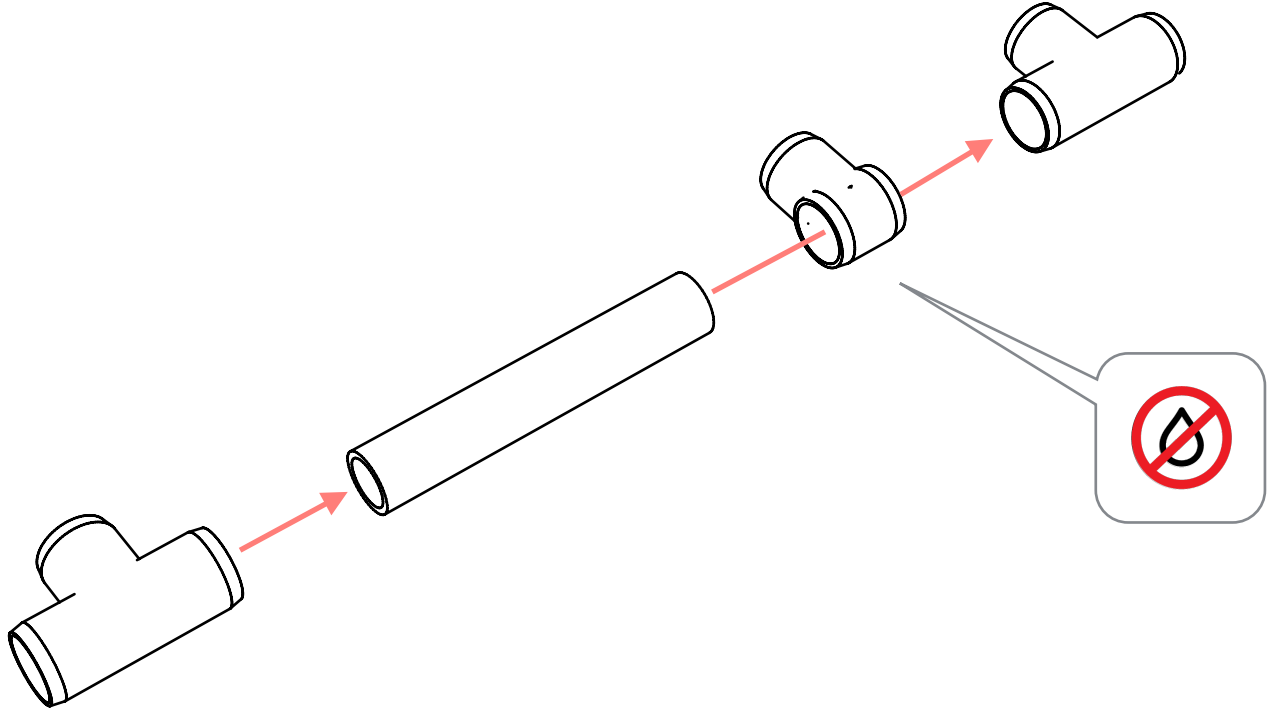


3


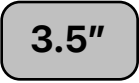


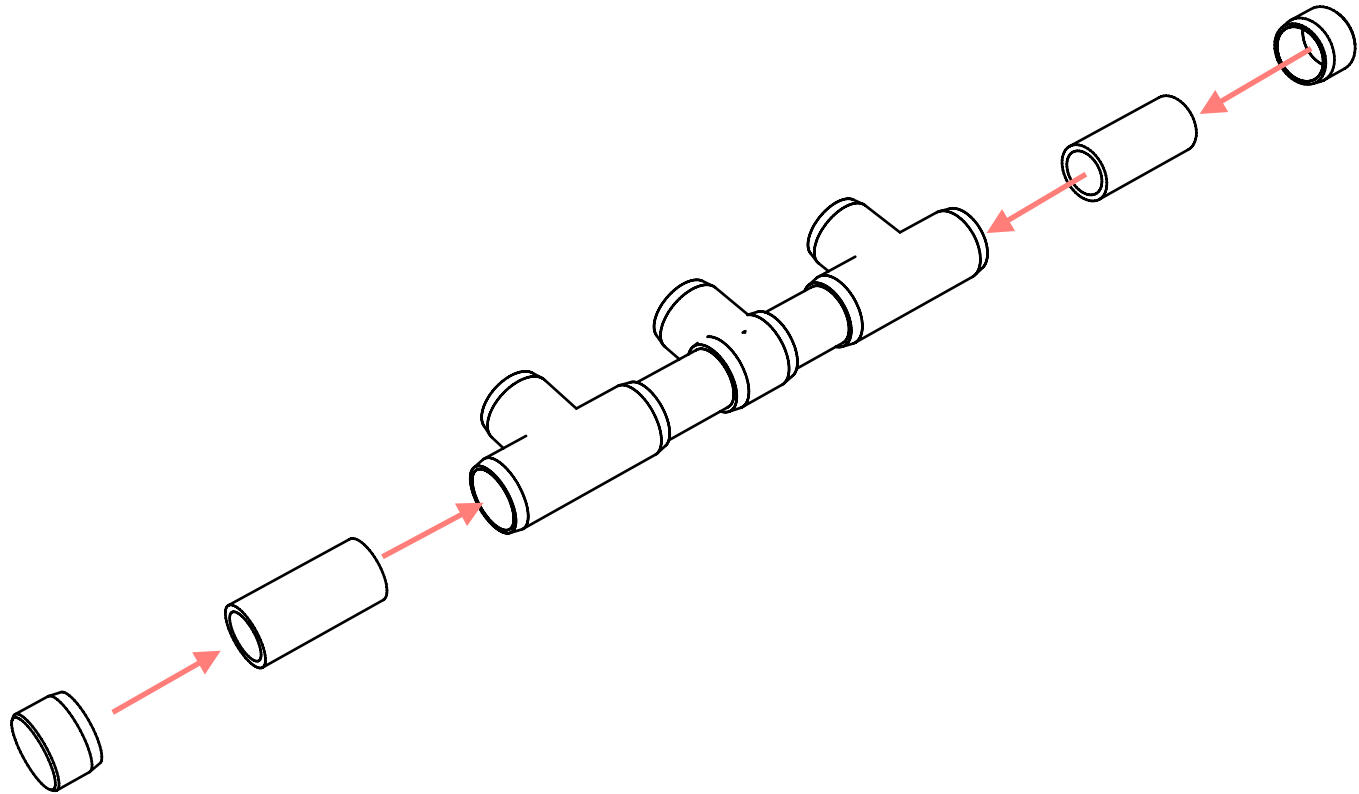
4

		
2x	2x	1x



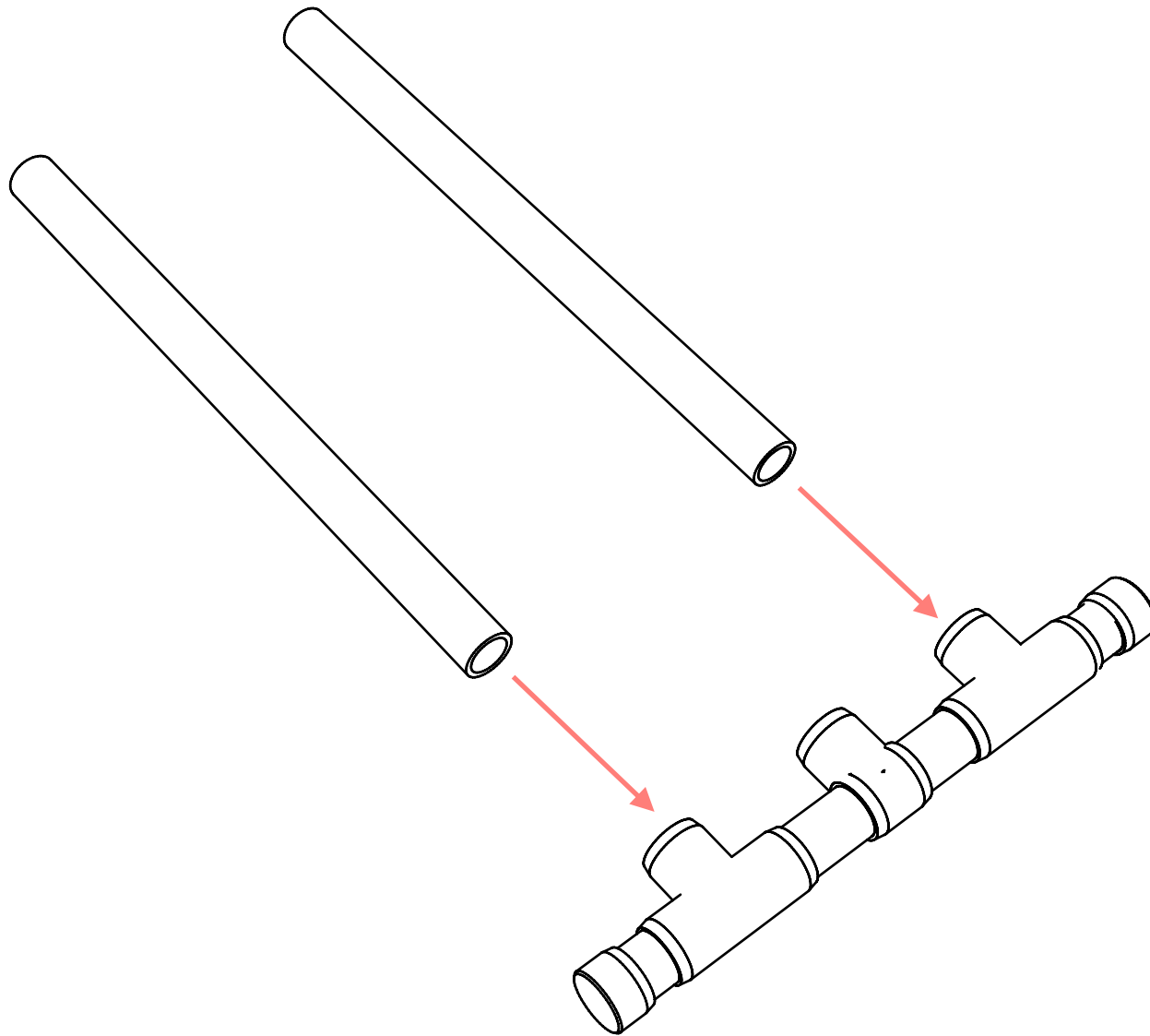
5

	
2x	2x

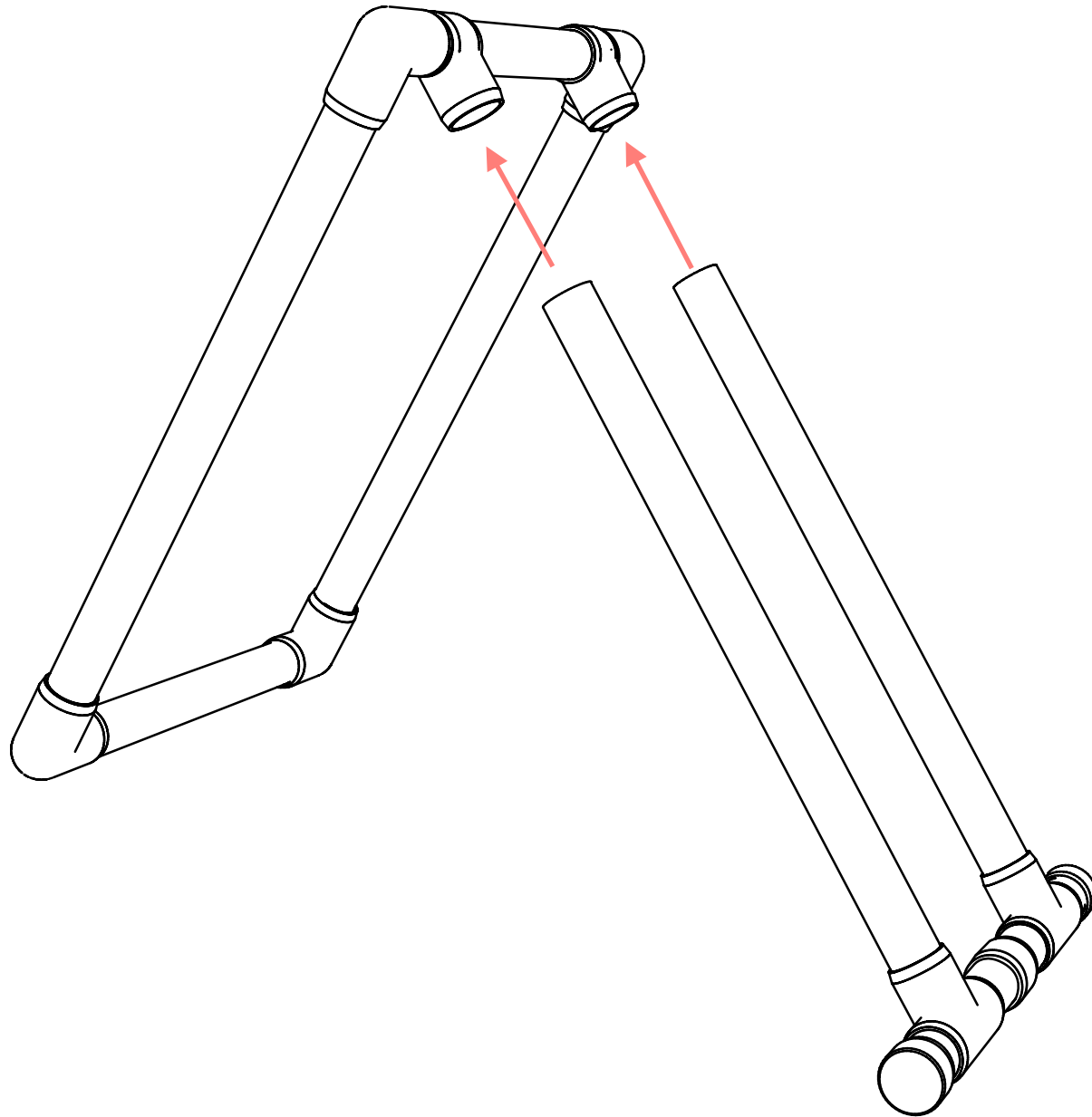


6

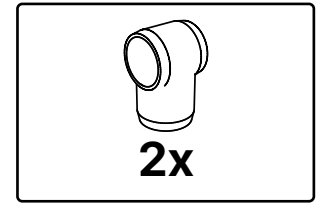
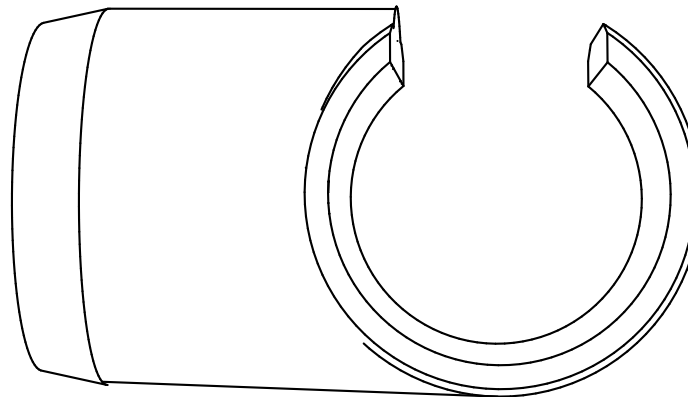
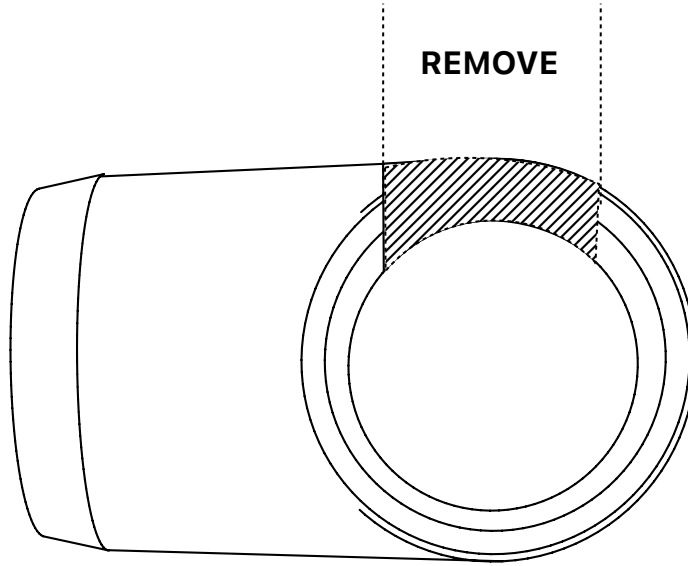
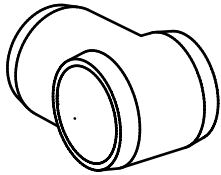
24"
2x



7

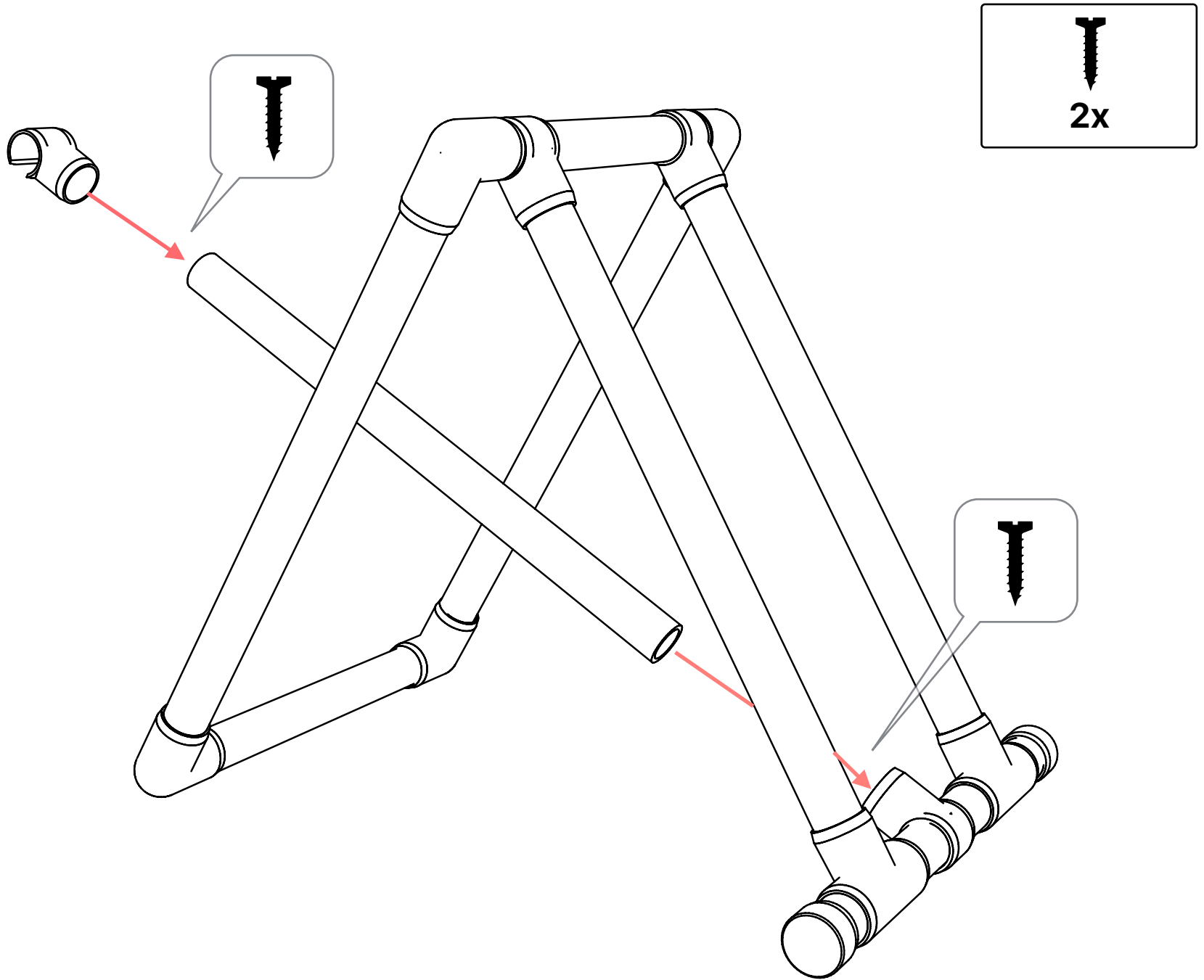


8

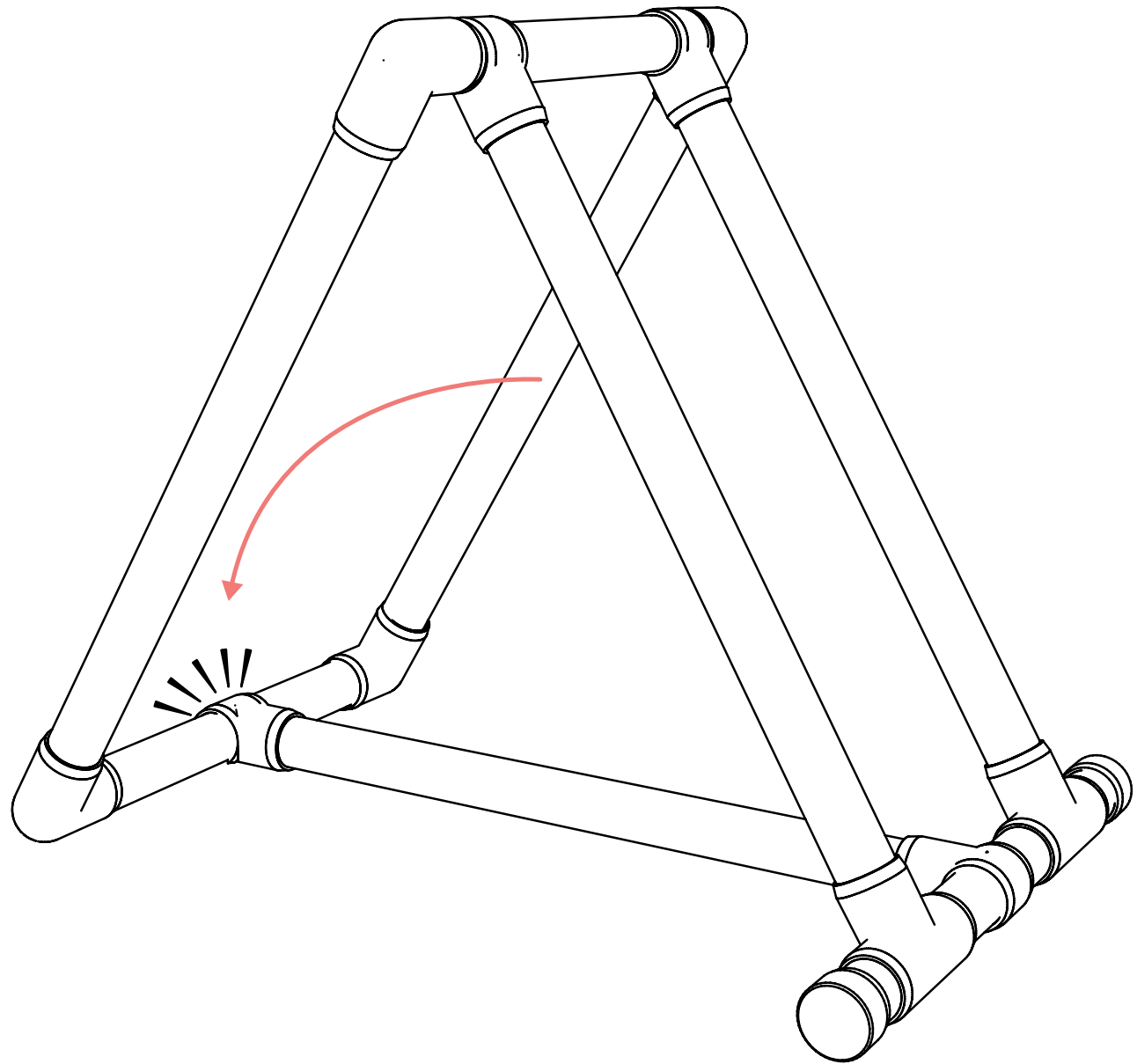


x2

9

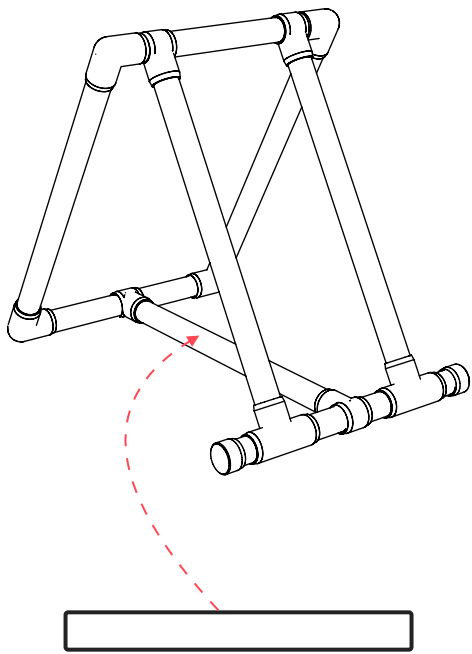


10



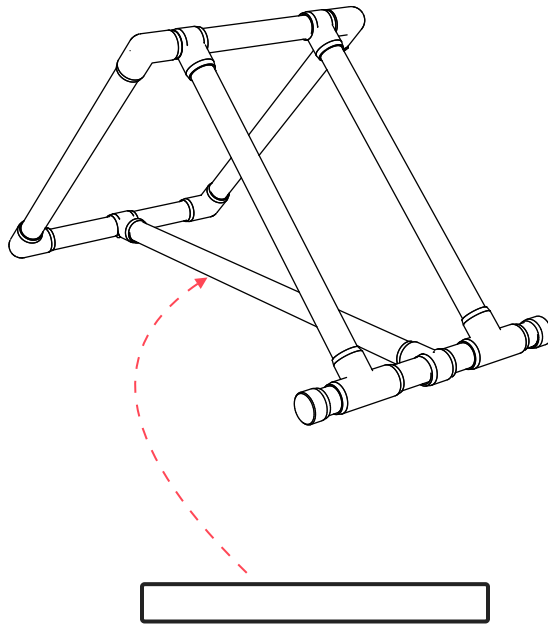
11

Remove screws and replace bottom pipe to adjust Seesaw height:



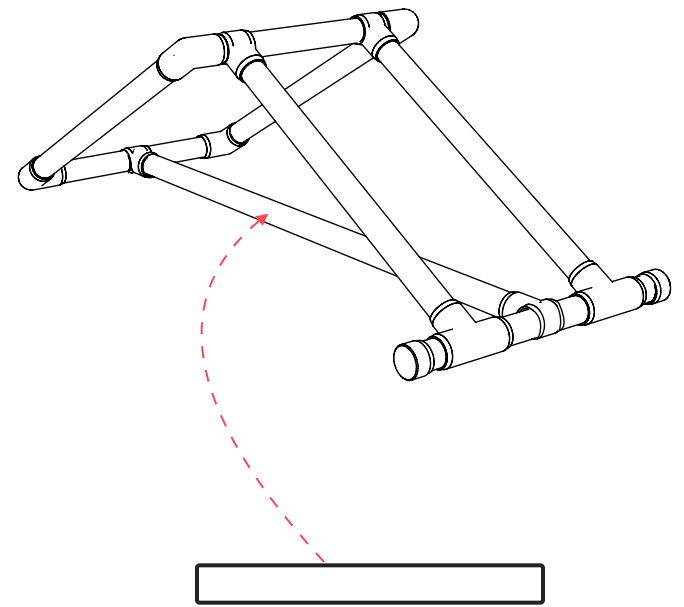
24"

Seesaw Height =



36"

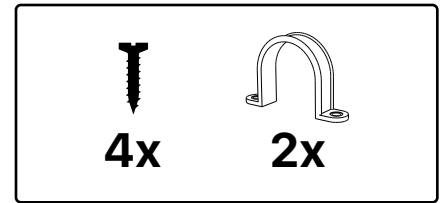
Seesaw Height =



48"

Seesaw Height =

12



Attach 1-1/2" pipe straps and screws over bottom rail to secure board to seesaw frame.

