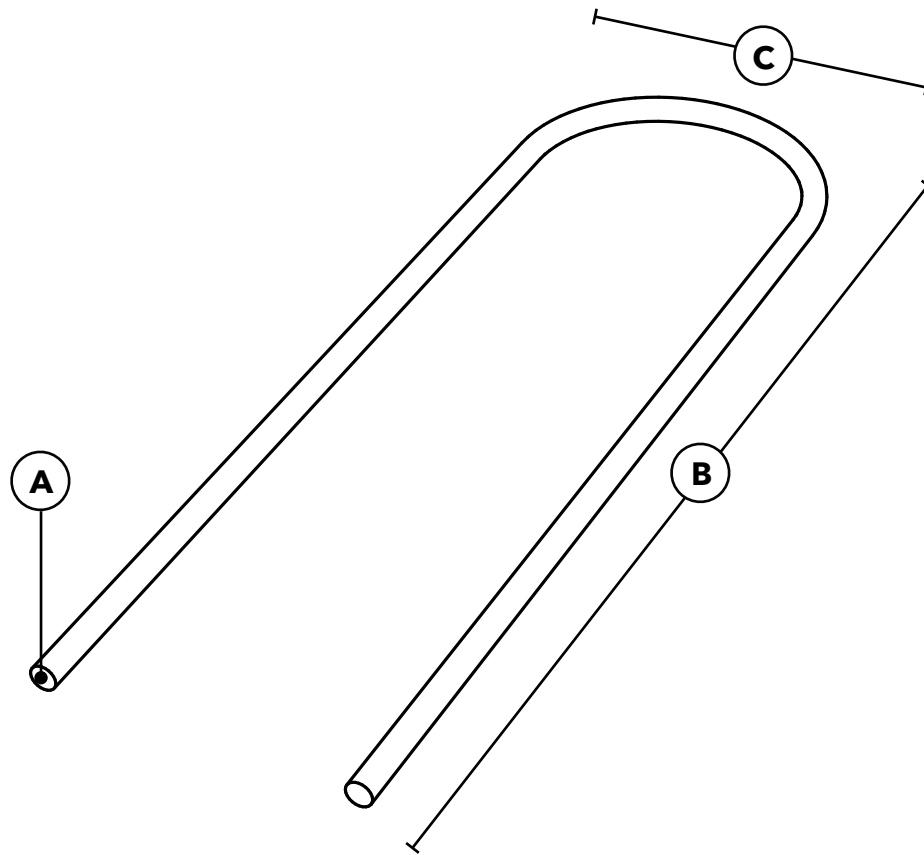


8" Galvanized Base Support U-Stake

SPECIFICATIONS
Product SKU: ANNNSTK



| ID | Description | Dimension |
|----|-------------|--------------------|
| A | Diameter | 0.19 in. (6 Gauge) |
| B | Length | 8.00 in. |
| C | Width | 2.25 in. |
| | Weight | 3 oz. |

NOTICE: All information within this Technical Specifications document is accurate at the time of document date. Product specifications and/or appearance may change.

