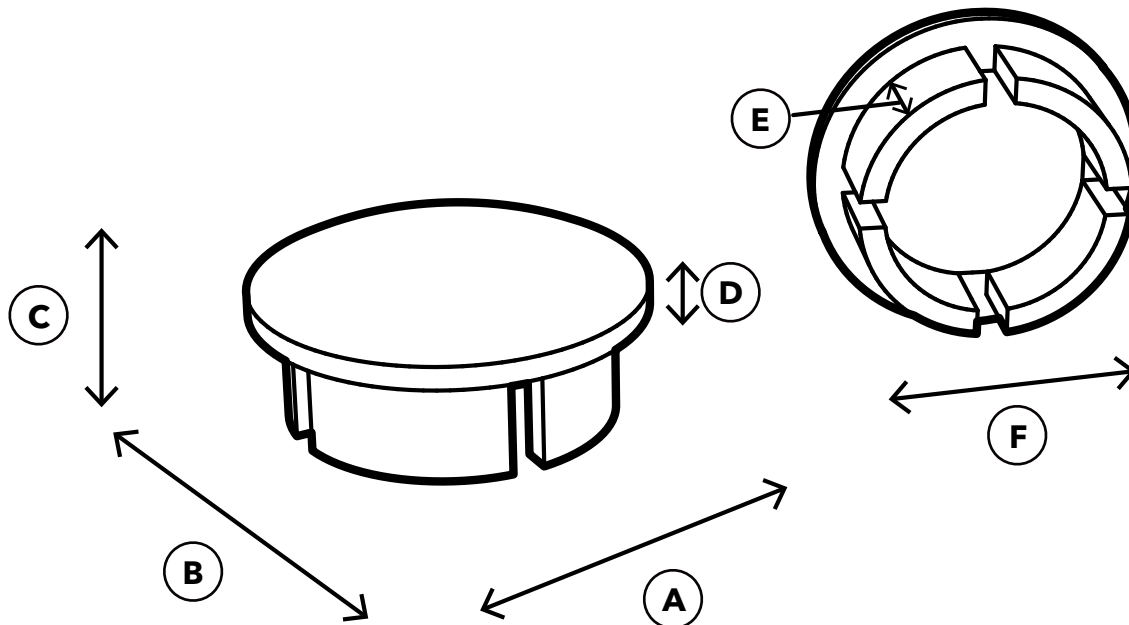


1" PVC Dome Cap

SPECIFICATIONS

Product SKU: F001IDC



ID	Description	Dimension
A	Overall Width	1.315 in.
B	Overall Depth	1.315 in.
C	Overall Height	0.641 in.
D	Dome Height	0.186 in.
E	Insertion Depth	0.455 in.
F	Insertion Diameter	1.049 in.
	Sch. Compatibility	Sch 40
	Weight	0.020 lb.

NOTICE: All information within this Technical Specifications document is accurate at the time of document date. Product specifications and/or appearance may change.

