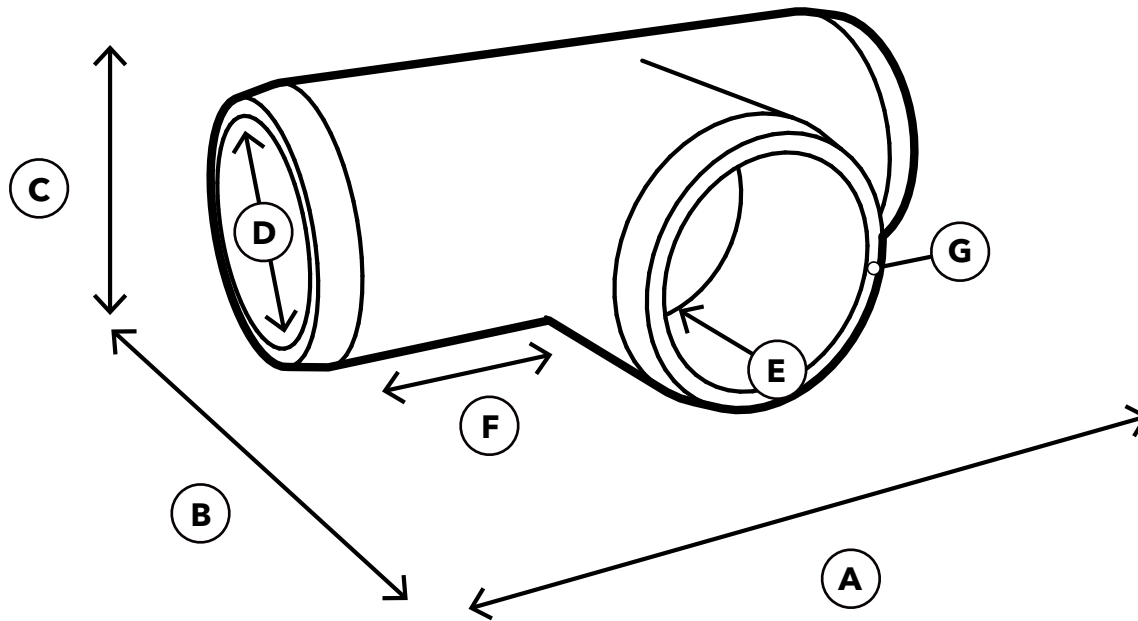


1" PVC Tee

SPECIFICATIONS

Product SKU: F001TEE



ID	Description	Dimension
A	Overall Width	4.090 in.
B	Overall Depth	2.828 in.
C	Overall Height	1.589 in.
D	Inside Diameter	1.315 in.
E	Insertion Depth	1.248 in.
F	Socket Length	1.243 in.
G	Wall Thickness	0.142 in.
	Weight	0.150 lb.

NOTICE: All information within this Technical Specifications document is accurate at the time of document date. Product specifications and/or appearance may change.

