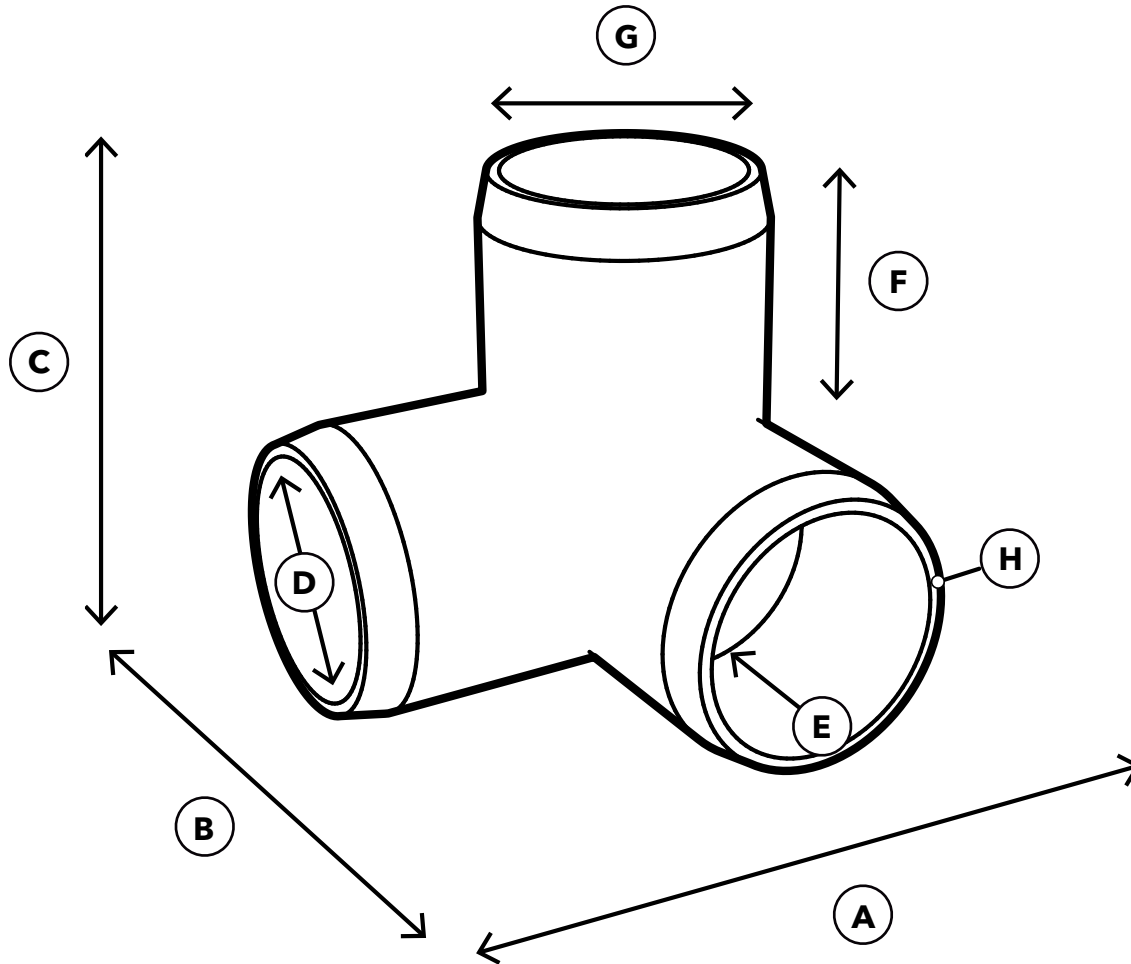


# 1/2" PVC 3-Way Elbow

## SPECIFICATIONS

Product SKU: F0123WE



ID	Description	Dimension
A	Overall Width	1.785 in.
B	Overall Depth	1.785 in.
C	Overall Height	1.785 in.
D	Inside Diameter	0.840 in.
E	Insertion Depth	0.751 in.
F	Socket Length	0.736 in.
G	Outside Diameter	1.075 in.
H	Wall Thickness	0.117 in.
	Weight	0.060 lb.

**NOTICE:** All information within this Technical Specifications Document (TSD) is accurate at the time of document date. Product specifications and/or appearance may change.