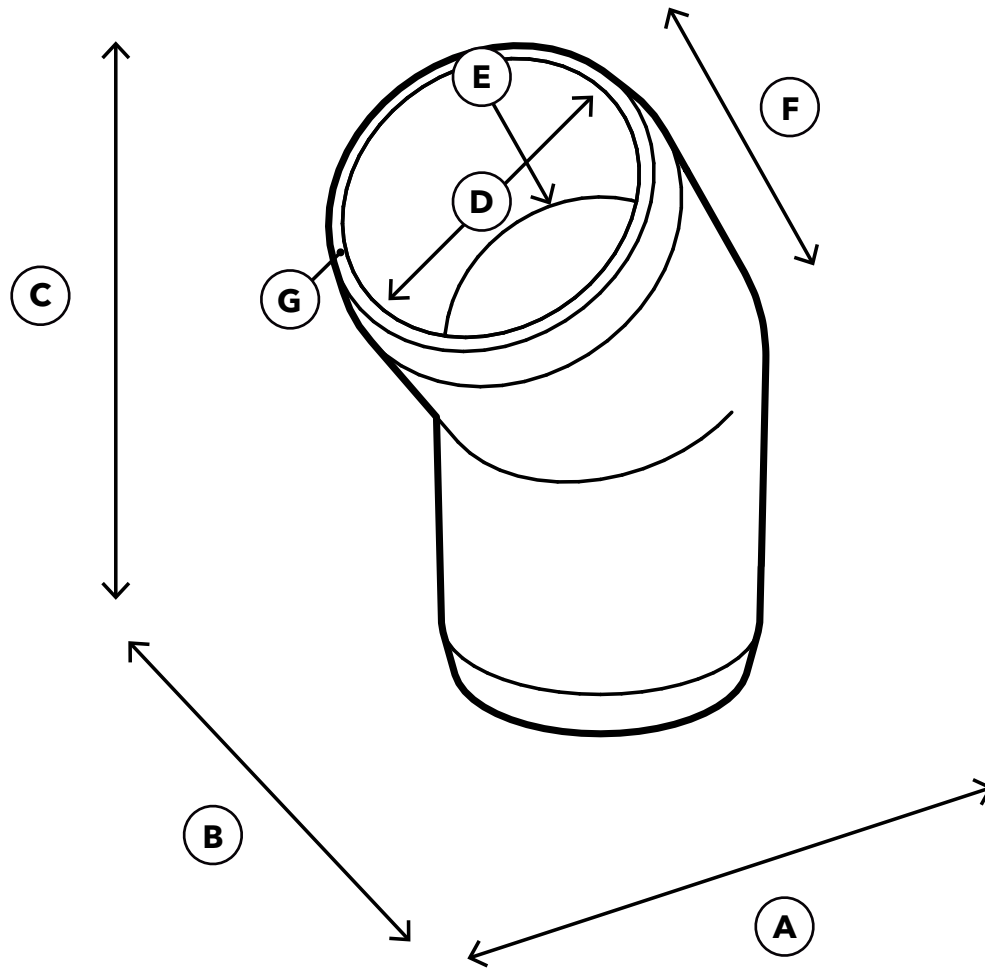


1/2" PVC 45° Elbow

SPECIFICATIONS

Product SKU: F01245E



ID	Description	Dimension
A	Overall Width	1.075 in.
B	Overall Depth	1.075 in.
C	Overall Height	2.144 in.
D	Inside Diameter	0.840 in.
E	Insertion Depth	0.756 in.
F	Socket Length	0.833 in.
G	Wall Thickness	0.117 in.
	Weight	0.040 lb.

NOTICE: All information within this Technical Specifications document is accurate at the time of document date. Product specifications and/or appearance may change.

