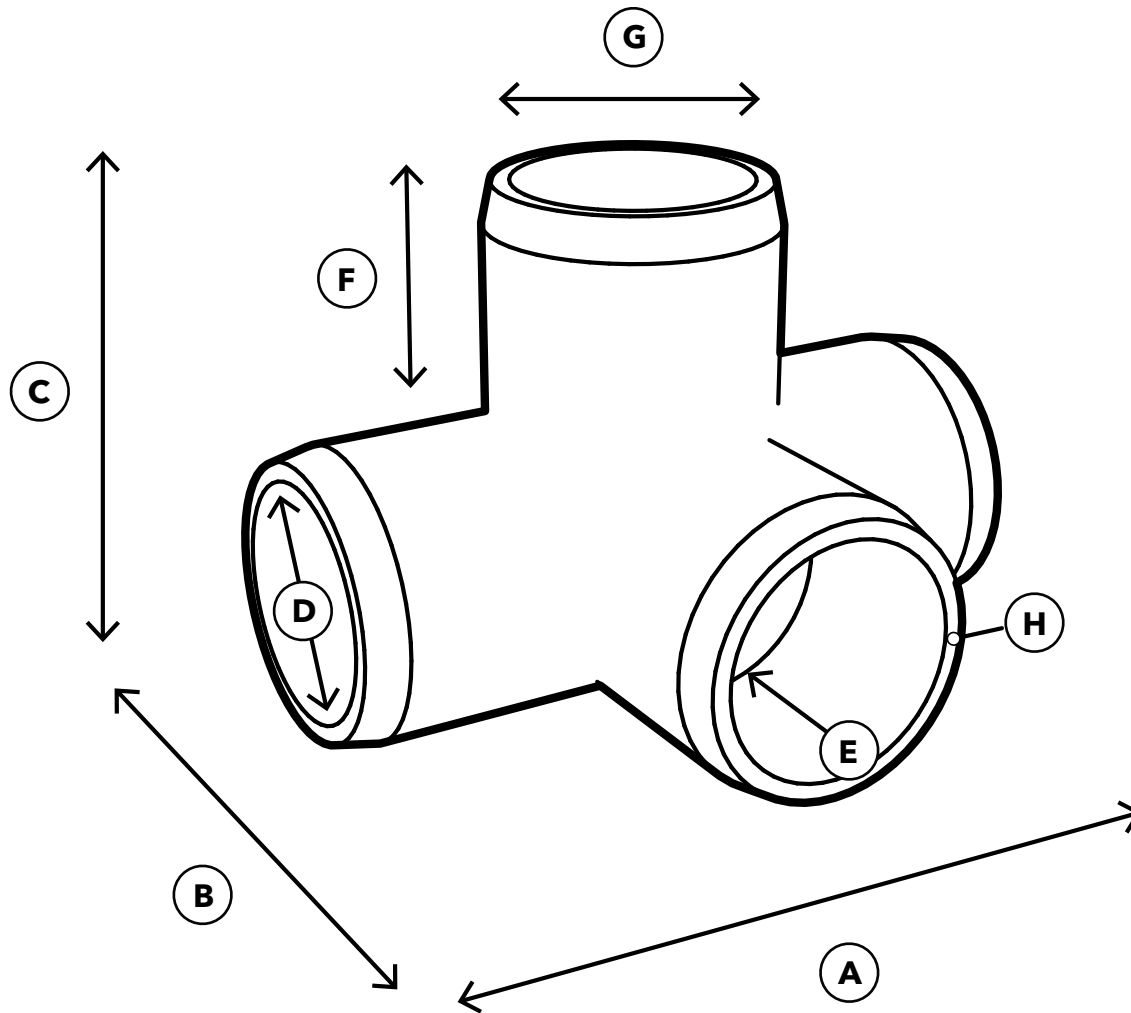


1/2" PVC 4-Way Tee

SPECIFICATIONS

Product SKU: F0124WT



ID	Description	Dimension
A	Overall Width	2.536 in.
B	Overall Depth	1.806 in.
C	Overall Height	1.806 in.
D	Inside Diameter	0.840 in.
E	Insertion Depth	0.754 in.
F	Socket Length	0.731 in.
G	Outside Diameter	1.075 in.
H	Wall Thickness	0.117 in.
	Weight	0.070 lb.

NOTICE: All information within this Technical Specifications document is accurate at the time of document date. Product specifications and/or appearance may change.

