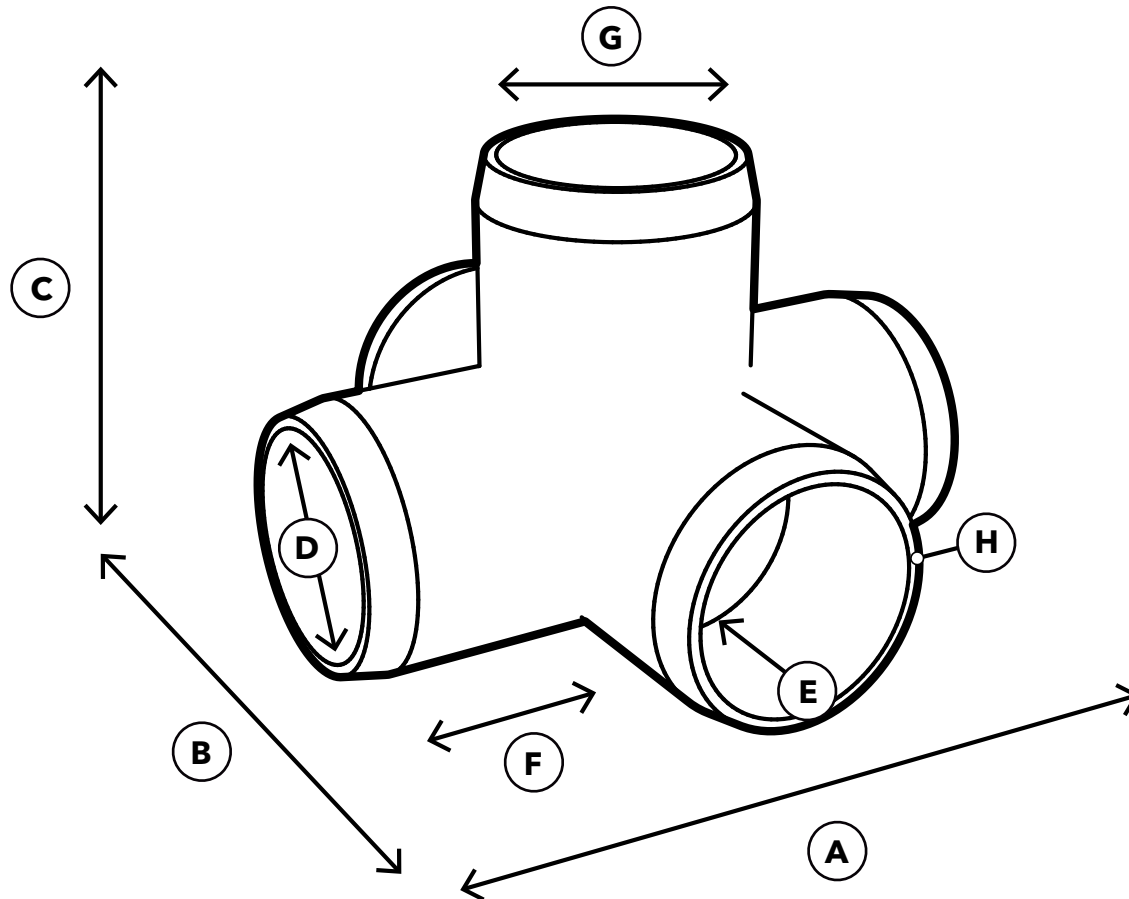


1/2" PVC 5-Way Cross

SPECIFICATIONS

Product SKU: F0125WC



ID	Description	Dimension
A	Overall Width	2.537 in.
B	Overall Depth	2.537 in.
C	Overall Height	1.804 in.
D	Inside Diameter	0.840 in.
E	Insertion Depth	0.757 in.
F	Socket Length	0.740 in.
G	Outside Diameter	1.075 in.
H	Wall Thickness	0.117 in.
	Weight	0.085 lb.

NOTICE: All information within this Technical Specifications document is accurate at the time of document date. Product specifications and/or appearance may change.

