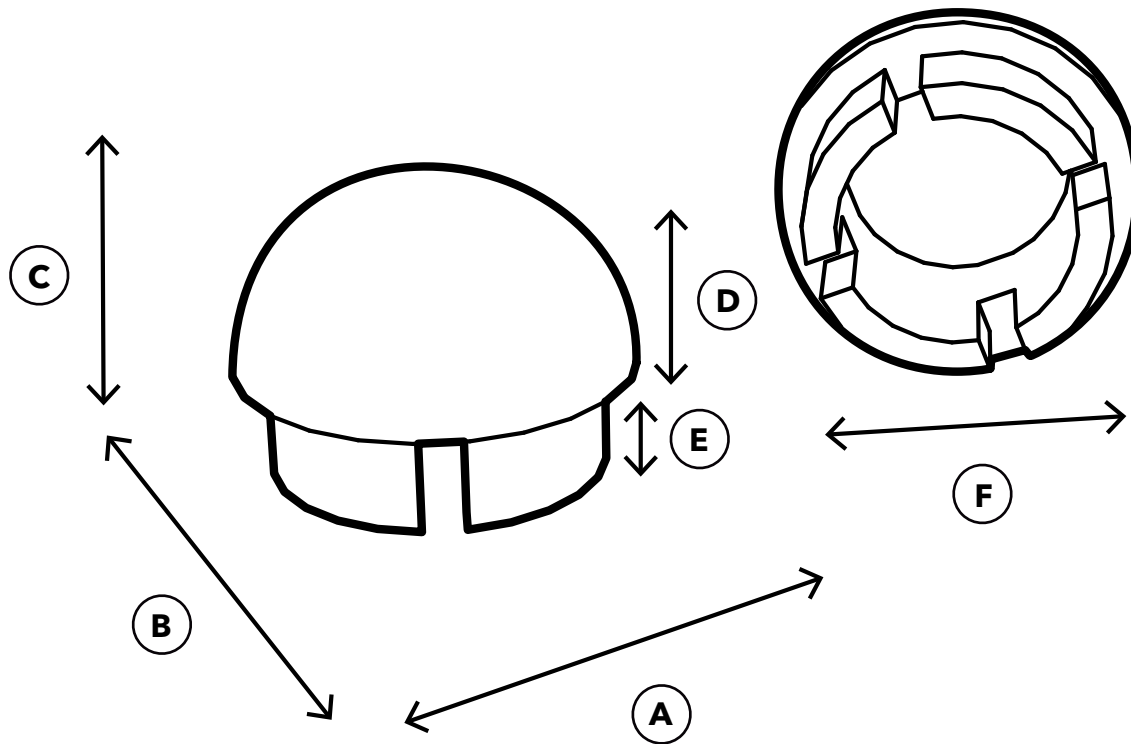


1/2" PVC Ball Cap

SPECIFICATIONS

Product SKU: F012BEC



ID	Description	Dimension
A	Overall Width	0.840 in.
B	Overall Depth	0.840 in.
D	Overall Height	0.826 in.
E	Ball Height	0.408 in.
C	Insertion Height	0.408 in.
F	Insert Diameter	0.614 in.
	Sch. Compatibility	Sch 40
	Weight	0.010 lb.

NOTICE: All information within this Technical Specifications document is accurate at the time of document date. Product specifications and/or appearance may change.

