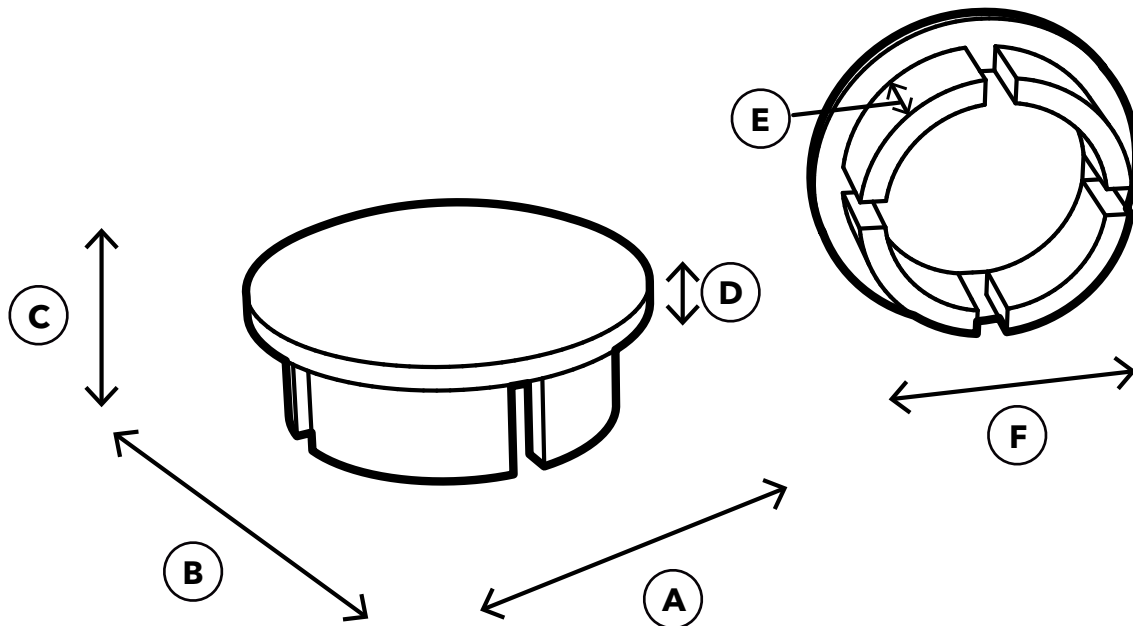


1/2" PVC Dome Cap

SPECIFICATIONS
Product SKU: F012IDC



ID	Description	Dimension
A	Overall Width	0.840 in.
B	Overall Depth	0.840 in.
C	Overall Height	0.550 in.
D	Dome Height	0.204 in.
E	Insertion Depth	0.346 in.
F	Insert Diameter	0.622 in.
	Sch. Compatibility	Sch 40
	Weight	0.005 lb.

NOTICE: All information within this Technical Specifications document is accurate at the time of document date. Product specifications and/or appearance may change.

