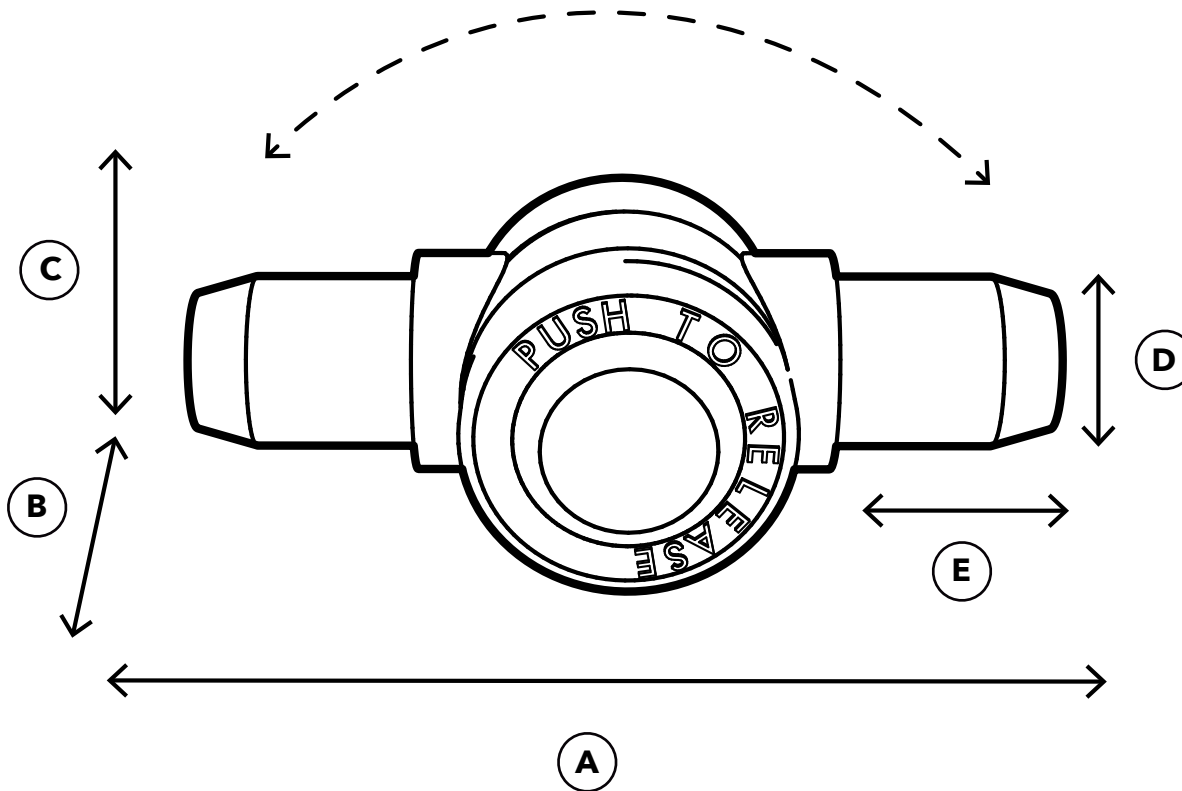


# 3/4" PVC Internal Adjustable Elbow

## SPECIFICATIONS

Product SKU: F034AIN



ID	Description	Dimension
A	Overall Width	4.006 in.
B	Overall Depth	1.594 in.
C	Overall Height	1.500 in.
D	Insertion Diameter	0.824 in.
E	Insertion Width	1.015 in.
	Weight	0.163 lb.

**NOTICE:** All information within this Technical Specifications document is accurate at the time of document date. Product specifications and/or appearance may change.

TSD F034AIN - 08-16-2018



All text and images copyright FORMUFIT 2018