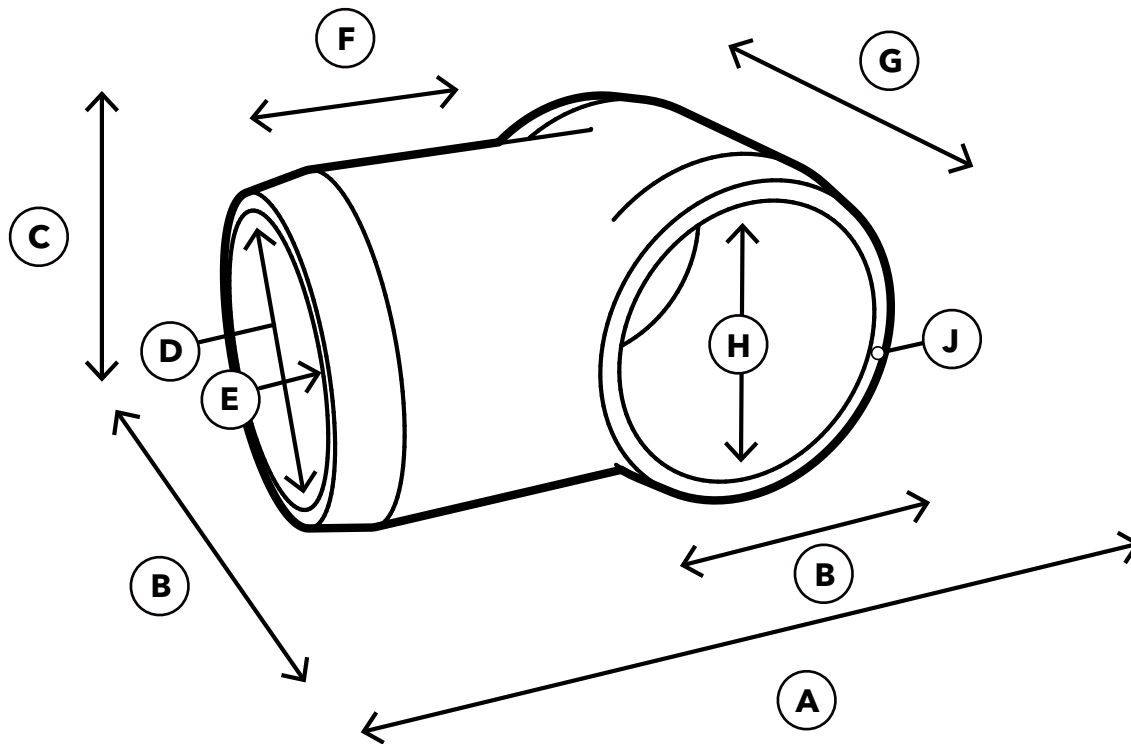


3/4" PVC Slip Tee

SPECIFICATIONS

Product SKU: F034STE



ID	Description	Dimension
A	Overall Width	2.262 in.
B	Outside Diameter	1.293 in.
C	Overall Height	1.315 in.
D	Inside Diameter	1.050 in.
E	Insertion Depth	0.990 in.
F	Socket Length	0.997 in.
G	Slip Width	1.313 in.
H	Slip Diameter	1.165 in.
J	Wall Thickness	0.127 in.
	Weight	0.056 lb.

NOTICE: All information within this Technical Specifications document is accurate at the time of document date. Product specifications and/or appearance may change.

