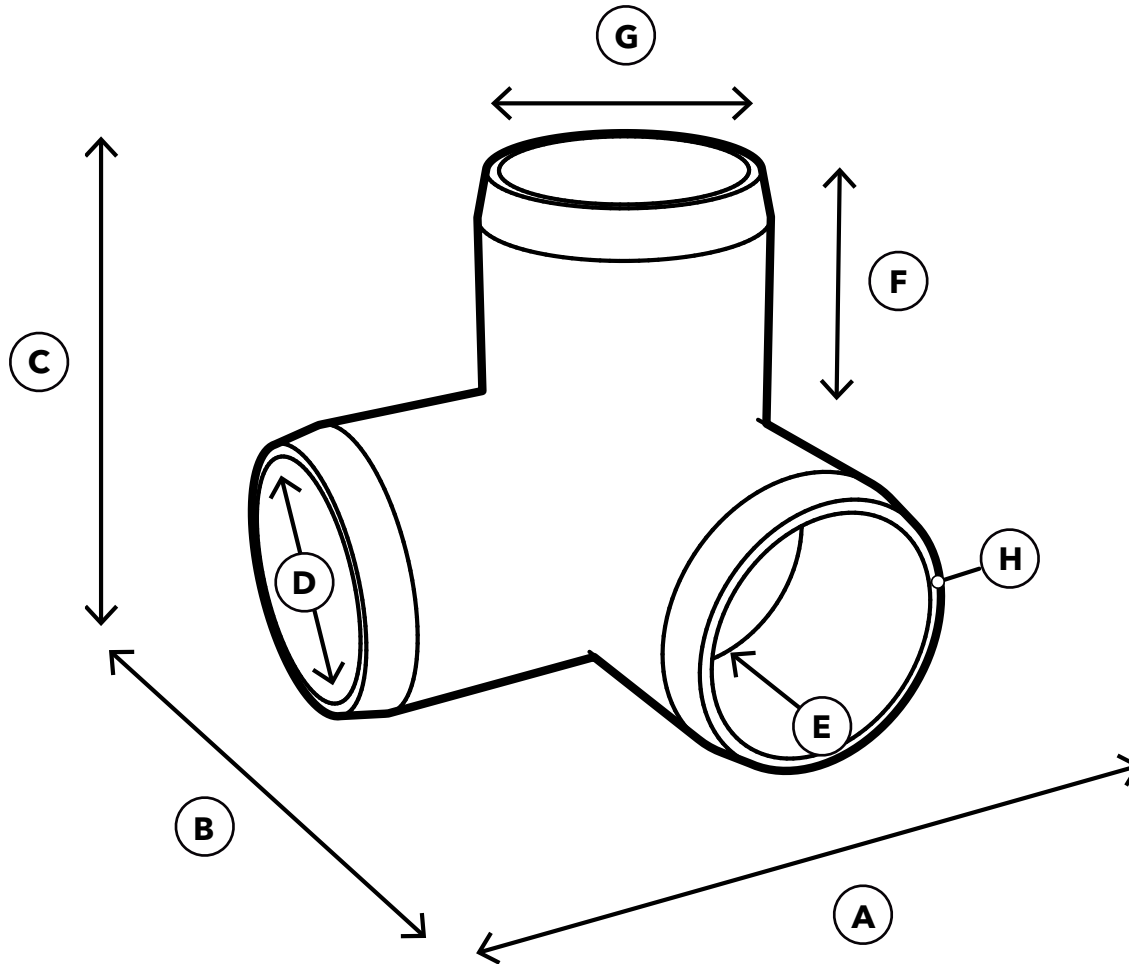


1-1/2" PVC 3-Way Elbow

SPECIFICATIONS

Product SKU: F1123WE



ID	Description	Dimension
A	Overall Width	3.556 in.
B	Overall Depth	3.556 in.
C	Overall Height	3.556 in.
D	Inside Diameter	1.900 in.
E	Insertion Depth	1.498 in.
F	Socket Length	1.405 in.
G	Outside Diameter	2.215 in.
H	Wall Thickness	0.156 in.
	Weight	0.363 lb.

NOTICE: All information within this Technical Specifications Document (TSD) is accurate at the time of document date. Product specifications and/or appearance may change.

TSD F1123WE - 08-16-2018



All text and images copyright FORMUFIT 2018