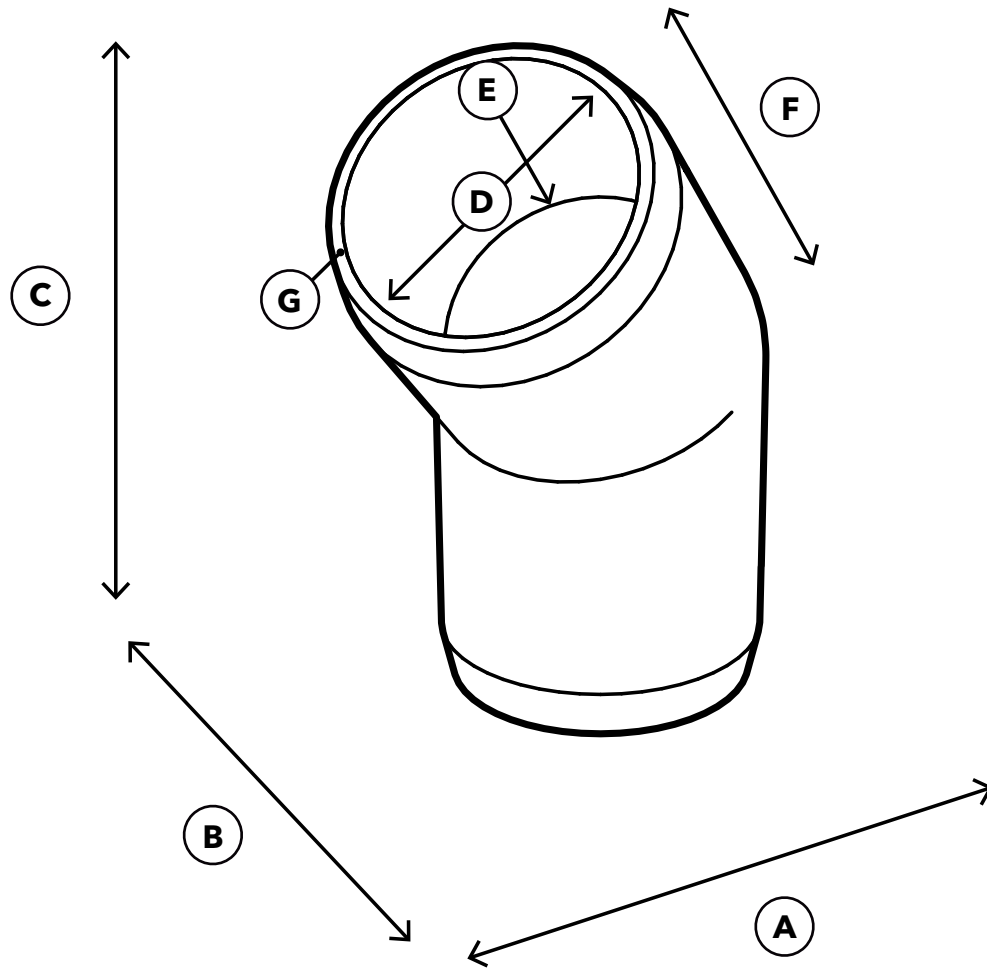


1-1/2" PVC 45° Elbow

SPECIFICATIONS

Product SKU: F11245E



ID	Description	Dimension
A	Overall Width	2.201 in.
B	Overall Depth	2.201 in.
C	Overall Height	4.007 in.
D	Inside Diameter	1.900 in.
E	Insertion Depth	1.501 in.
E	Socket Length	1.464 in.
G	Wall Thickness	0.155 in.
	Weight	0.213 lb.

NOTICE: All information within this Technical Specifications document is accurate at the time of document date. Product specifications and/or appearance may change.

