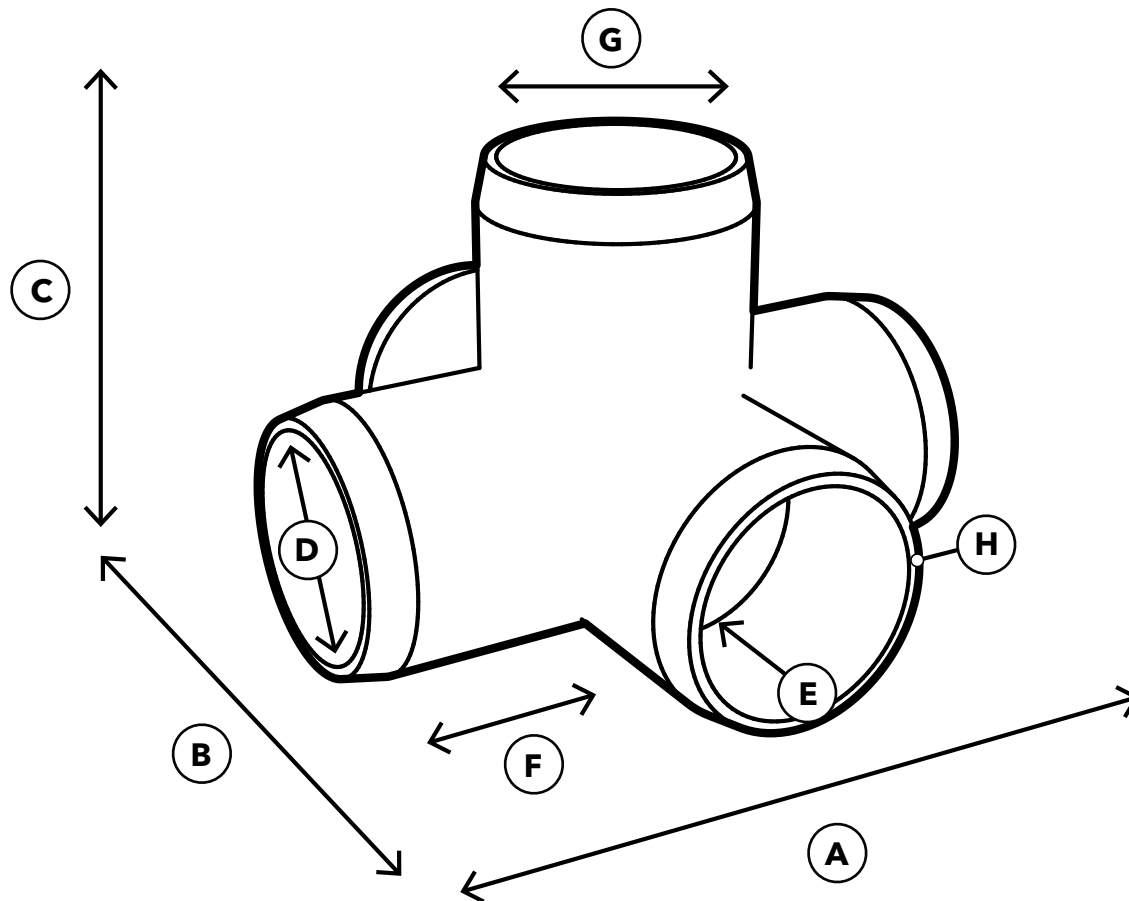


# 1-1/2" PVC 5-Way Cross

## SPECIFICATIONS

Product SKU: F1125WC



ID	Description	Dimension
A	Overall Width	4.970 in.
B	Overall Depth	4.970 in.
C	Overall Height	3.567 in.
D	Inside Diameter	1.900 in.
E	Insertion Depth	1.509 in.
F	Socket Length	1.374 in.
G	Outside Diameter	2.215 in.
H	Wall Thickness	0.155 in.
	Weight	0.400 lb.

**NOTICE:** All information within this Technical Specifications document is accurate at the time of document date. Product specifications and/or appearance may change.

