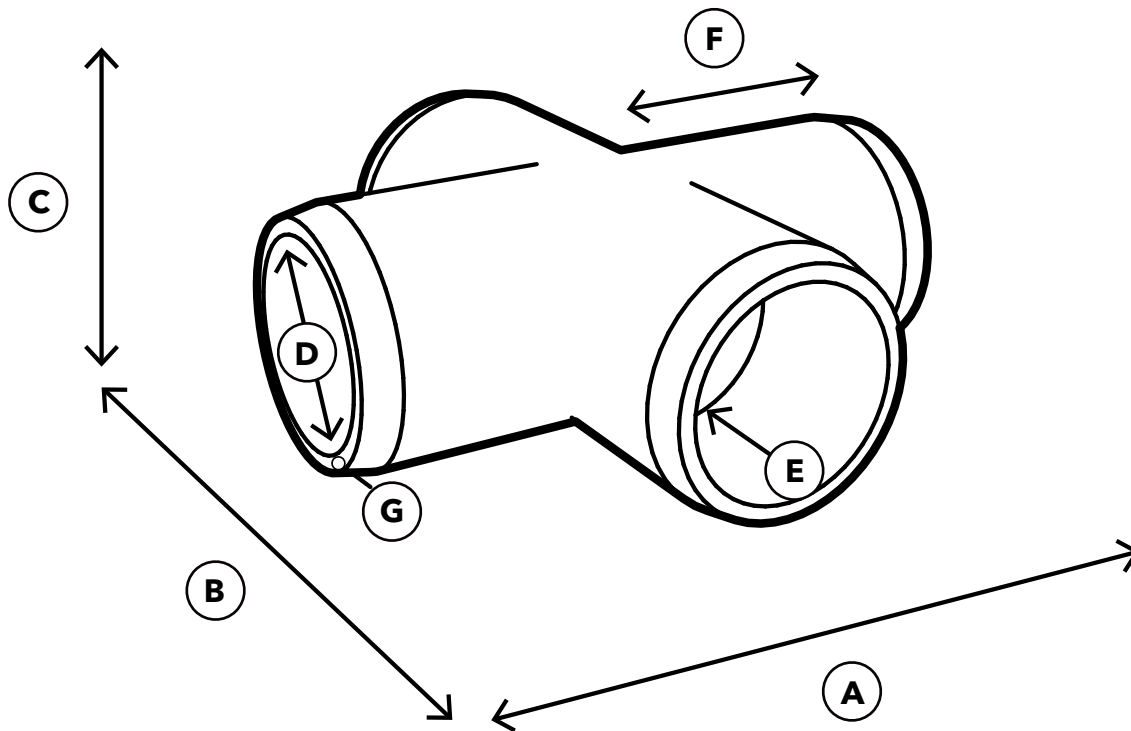


1-1/2" PVC Cross

SPECIFICATIONS

Product SKU: F112CRX



ID	Description	Dimension
A	Overall Width	4.957 in.
B	Overall Depth	4.957 in.
C	Overall Height	2.215 in.
D	Inside Diameter	1.900 in.
E	Insertion Depth	1.504 in.
F	Socket Length	1.377 in.
G	Wall Thickness	0.155 in.
	Weight	0.438 lb.

NOTICE: All information within this Technical Specifications document is accurate at the time of document date. Product specifications and/or appearance may change.

