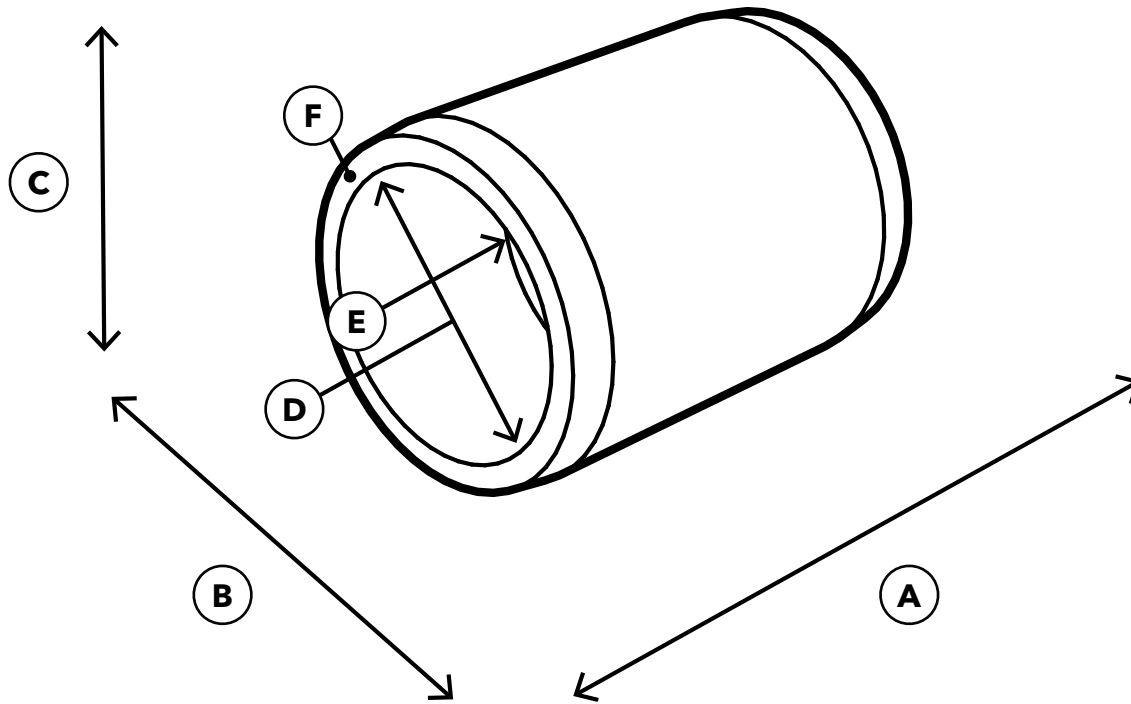


1-1/2" PVC External Coupling

SPECIFICATIONS

Product SKU: F112ECO



ID	Description	Dimension
A	Overall Width	2.258 in.
B	Overall Depth	2.332 in.
C	Overall Height	2.332 in.
D	Inside Diameter	1.900 in.
E	Insertion Depth	1.093 in.
F	Wall Thickness	0.178 in.
	Weight	0.150 lb.

NOTICE: All information within this Technical Specifications document is accurate at the time of document date. Product specifications and/or appearance may change.

