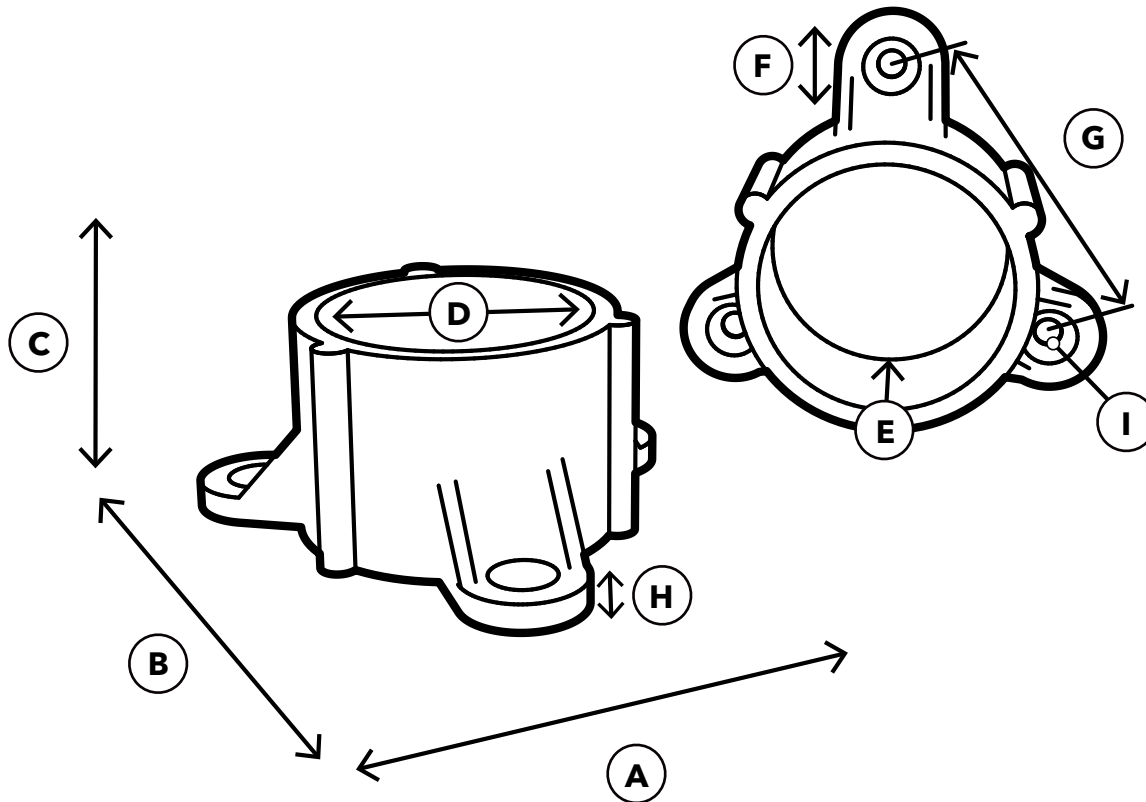


1-1/2" PVC Table Cap

SPECIFICATIONS

Product SKU: F112ECT



ID	Description	Dimension
A	Overall Width	3.227 in.
B	Overall Depth	3.011 in.
C	Overall Height	1.313 in.
D	Inside Diameter	1.900 in.
E	Insertion Depth	1.201 in.
F	Tab Length	0.675 in.
G	Hole Distance	2.441 in.
H	Tab Height	0.166 in.
I	Screw Hole*	0.190 in.
	Weight	0.100 lb.

*Recommended screw size is number ten (#10)

NOTICE: All information within this Technical Specifications document is accurate at the time of document date. Product specifications and/or appearance may change.

