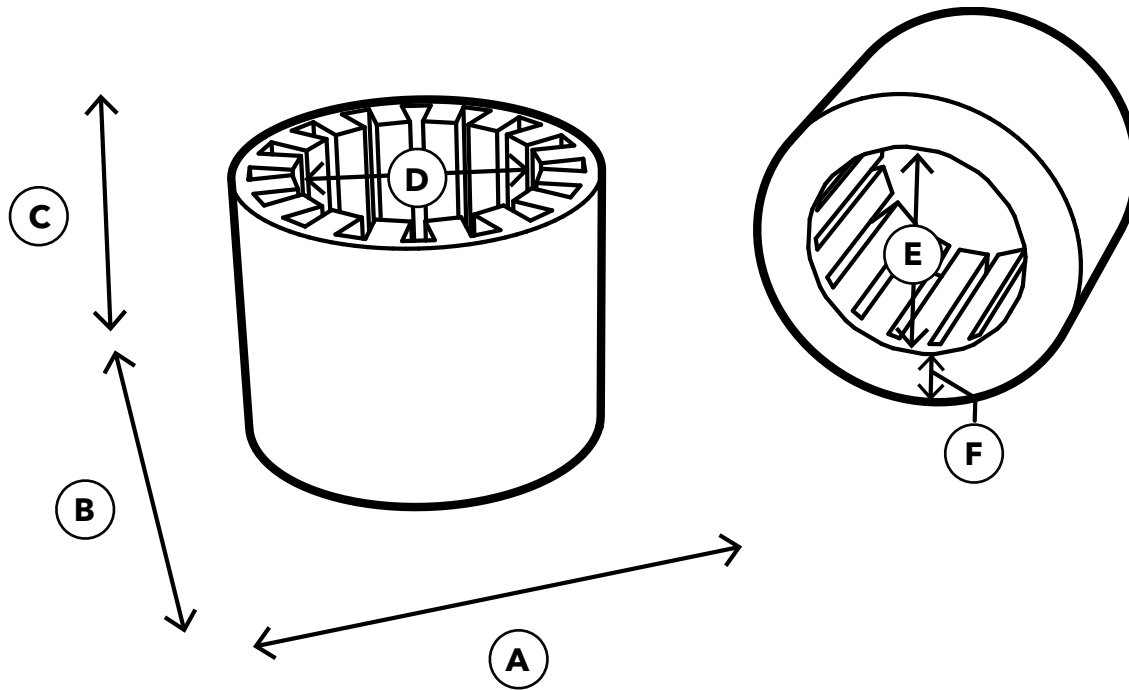


PVC 1-1/4" to 3/4" Fitting Reducer

SPECIFICATIONS

Product SKU: F11434R



ID	Description	Dimension
A	Overall Width	1.666 in.
B	Overall Depth	1.666 in.
C	Overall Height	1.280 in.
D	Inside Diameter A	1.068 in.
E	Inside Diameter B	1.060 in.
F	Wall Thickness	0.311 in.
	Weight	0.056 lb.

NOTICE: All information within this Technical Specifications document is accurate at the time of document date. Product specifications and/or appearance may change.

