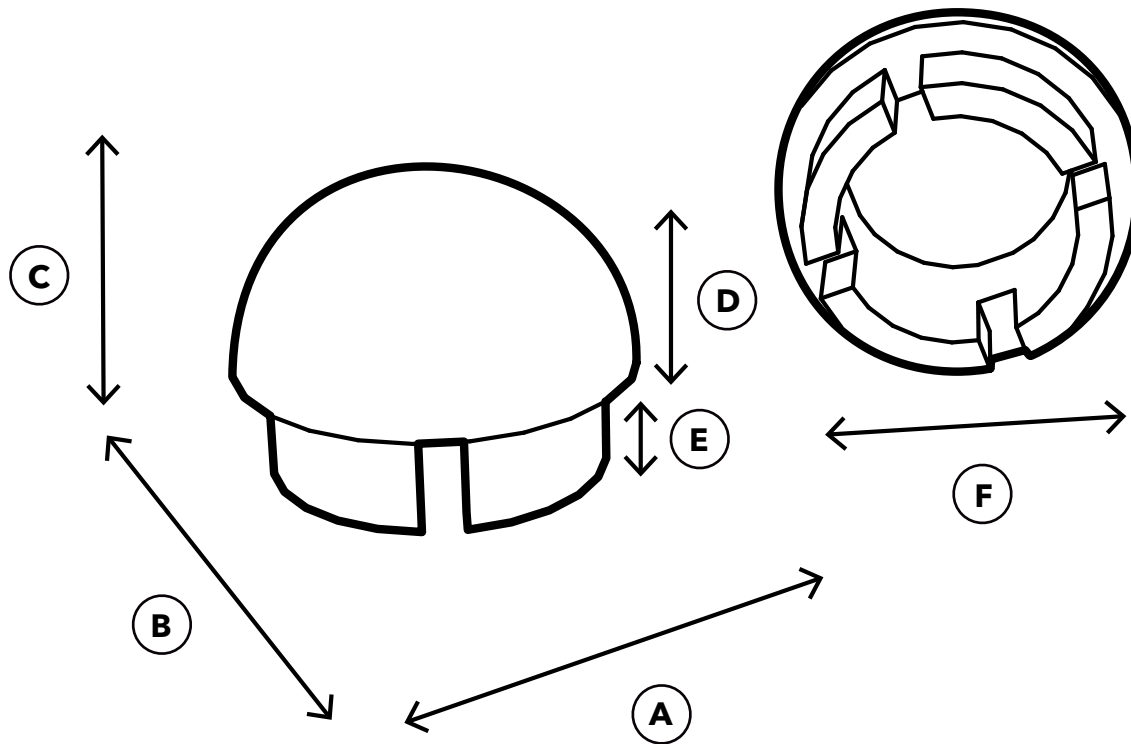


1-1/4" PVC Ball Cap

SPECIFICATIONS

Product SKU: F114BEC



ID	Description	Dimension
A	Overall Width	1.660 in.
B	Overall Depth	1.660 in.
C	Overall Height	1.249 in.
D	Ball Height	0.804 in.
E	Insertion Height	0.445 in.
F	Insert Diameter	1.382 in.
	Sch. Compatibility	Sch 40
	Weight	0.045 lb.

NOTICE: All information within this Technical Specifications document is accurate at the time of document date. Product specifications and/or appearance may change.

