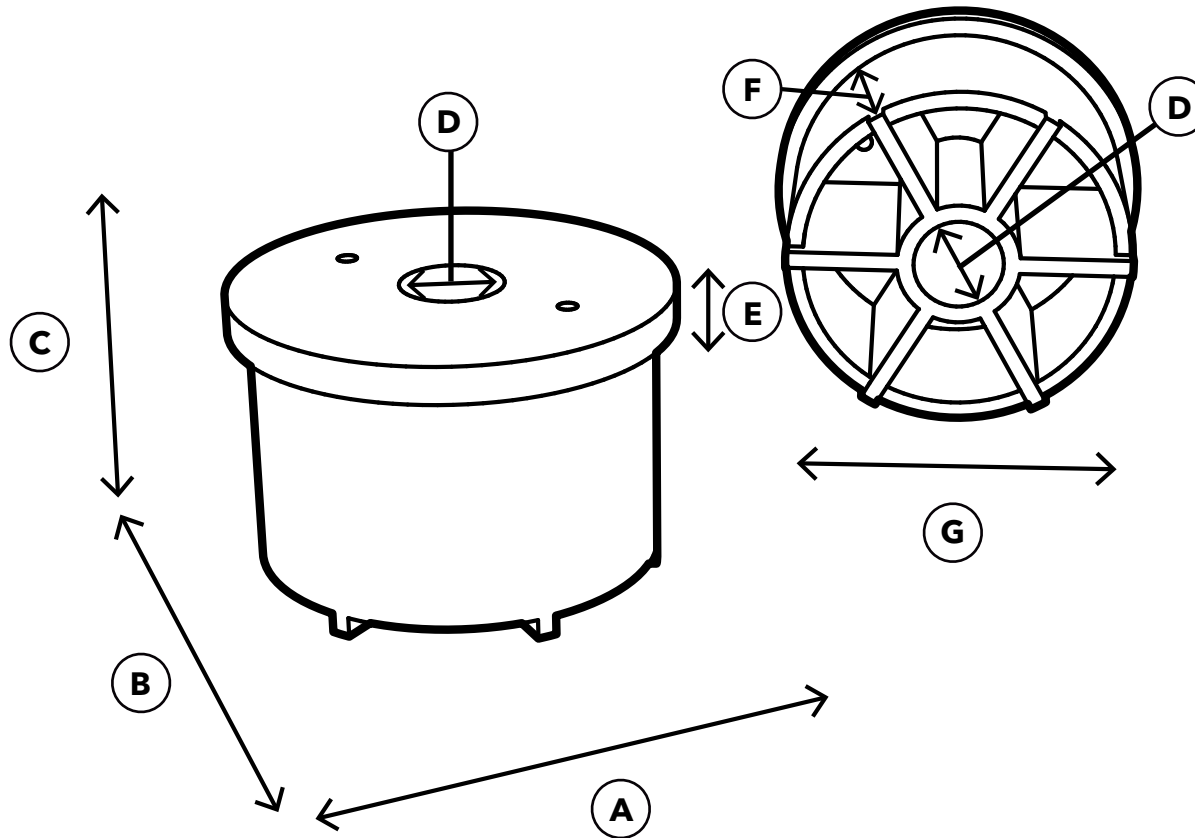


# 1-1/4" PVC 7/16" Caster Fitting Insert

SPECIFICATIONS  
Product SKU: F114CF7



ID	Description	Dimension
A	Overall Width	1.798 in.
B	Overall Depth	1.798 in.
C	Overall Height	1.130 in.
D	Caster Hole ID	0.438 in.
E	Cap Height	0.151 in.
F	Insertion Depth	0.977 in.
G	Insertion Diameter	1.660 in.
	Weight	0.069 lb.

**NOTICE:** All information within this Technical Specifications document is accurate at the time of document date. Product specifications and/or appearance may change.

