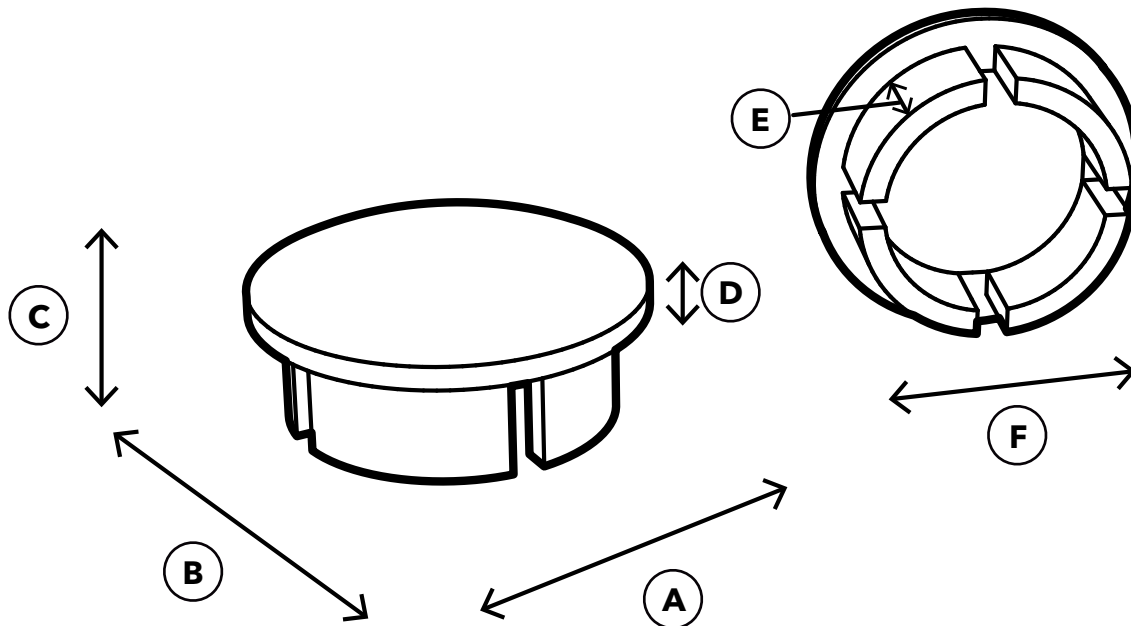


1-1/4" PVC Dome Cap

SPECIFICATIONS

Product SKU: F114IDC



ID	Description	Dimension
A	Overall Width	1.660 in.
B	Overall Depth	1.660 in.
C	Overall Height	0.766 in.
D	Dome Height	0.271 in.
E	Insertion Depth	0.495 in.
F	Insert Diameter	1.387 in.
	Sch. Compatibility	Sch 40
	Weight	0.025 lb.

NOTICE: All information within this Technical Specifications document is accurate at the time of document date. Product specifications and/or appearance may change.

