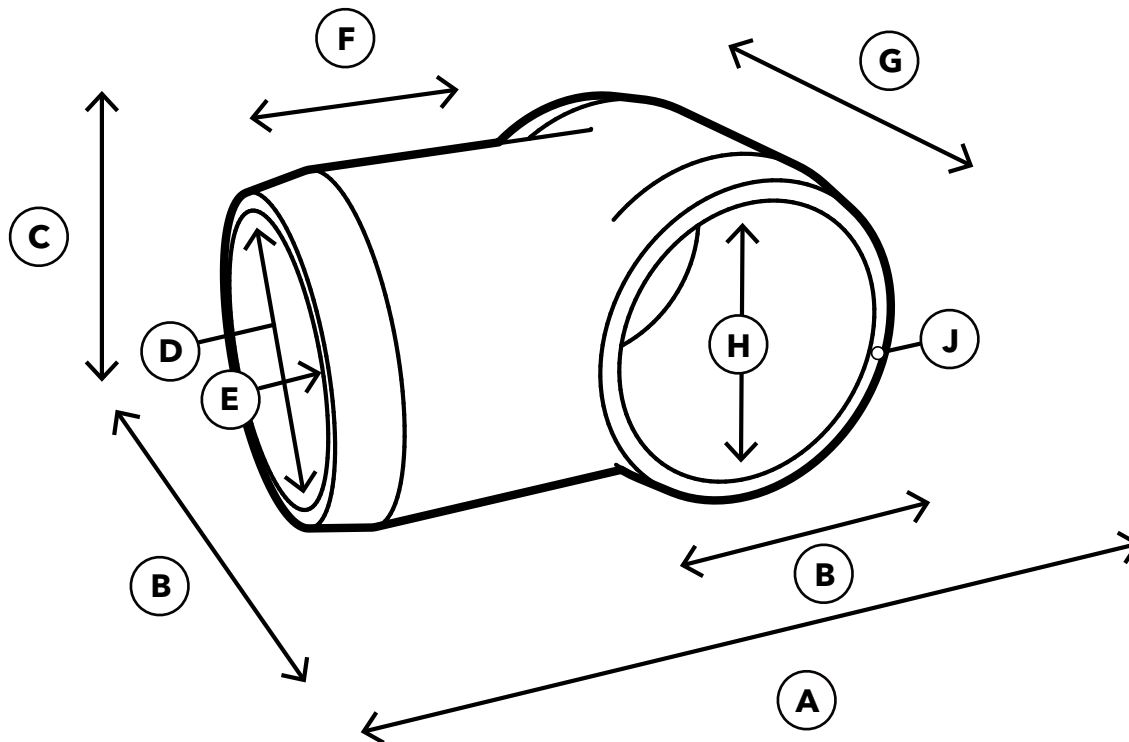


# 1-1/4" PVC Slip Tee

## SPECIFICATIONS

Product SKU: F114STE



ID	Description	Dimension
A	Overall Width	3.430 in.
B	Outside Diameter	2.004 in.
C	Overall Height	2.030 in.
D	Inside Diameter	1.660 in.
E	Insertion Depth	1.511 in.
F	Socket Length	1.479 in.
G	Slip Width	2.040 in.
H	Slip Diameter	1.670 in.
J	Wall Thickness	0.180 in.
	Weight	0.175 lb.

**NOTICE:** All information within this Technical Specifications document is accurate at the time of document date. Product specifications and/or appearance may change.

