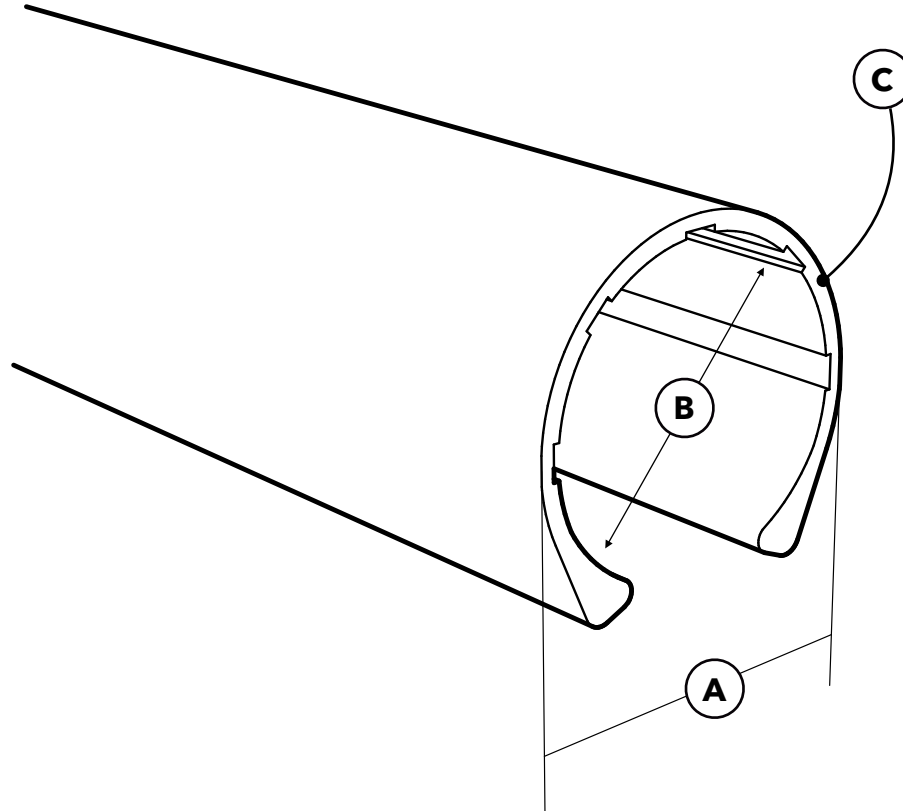


1" PVC PipeClamp

SPECIFICATIONS

Product SKU: P001CLP



ID	Description	Dimension
A	Outside Diameter*	1.380 in.
B	Avg. Inside Dia.*	1.290 in.
C	Avg. Wall Thickness	0.070 in.
	Weight	0.170 lb./ft.

*Diameters provided are in unclamped state.

NOTICE: All information within this Technical Specifications document is accurate at the time of document date. Product specifications and/or appearance may change.

