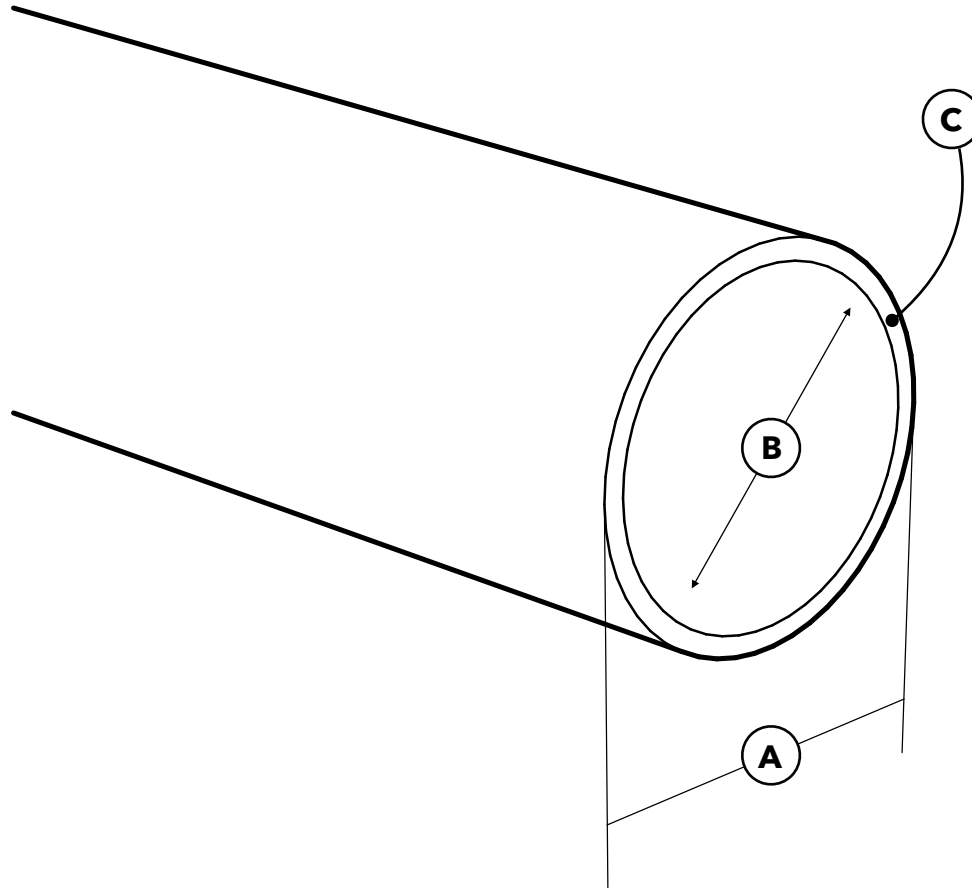


1" Thinwall PVC Pipe

SPECIFICATIONS

Product SKU: P001TWP



ID	Description	Dimension
A	Outside Diameter	1.315 in.
B	Avg. Inside Dia.	1.185 in.
C	Min. Wall Thickness	0.065 in.
	Weight	0.170 lb./ft.
	Schedule	Thinwall

NOTICE: All information within this Technical Specifications document is accurate at the time of document date. Product specifications and/or appearance may change.

