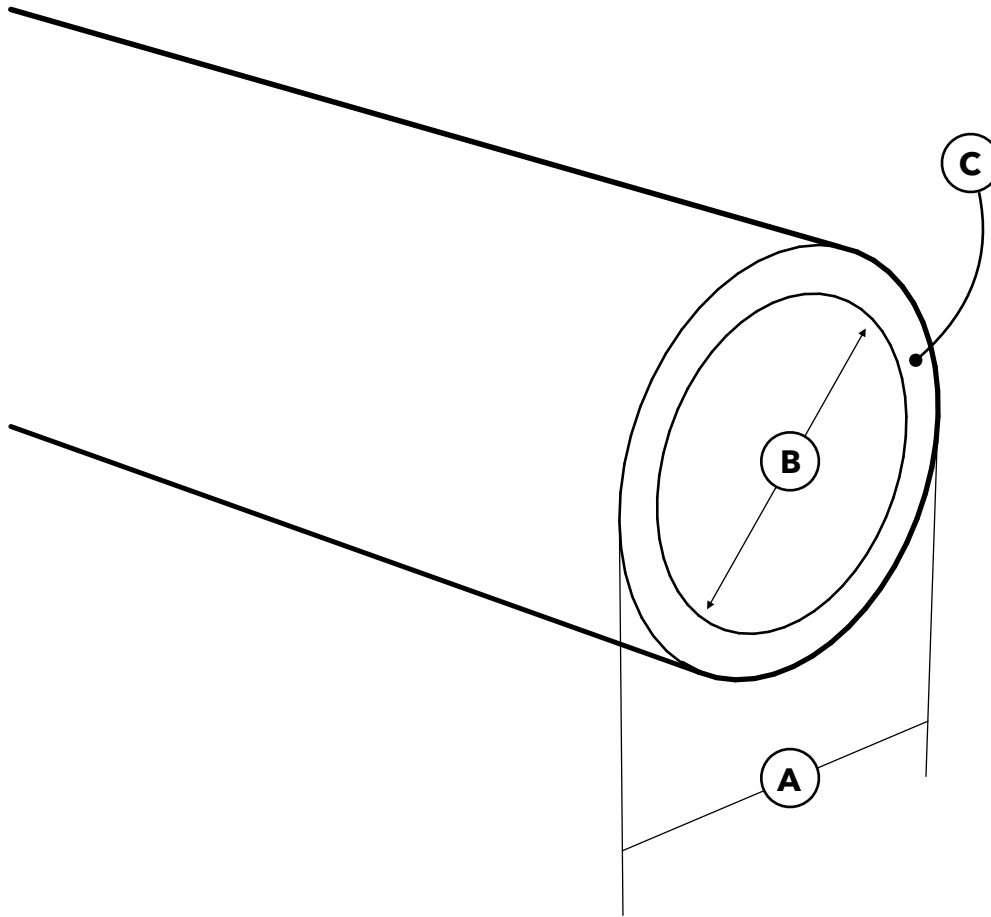


2" Schedule 40 PVC Pipe

SPECIFICATIONS

Product SKU: P002FGP



ID	Description	Dimension
A	Outside Diameter	2.375 in.
B	Avg. Inside Dia.	2.067 in.
C	Min. Wall Thickness	0.154 in.
	Weight	0.750 lb./ft.
	Schedule	40

NOTICE: All information within this Technical Specifications document is accurate at the time of document date. Product specifications and/or appearance may change.

