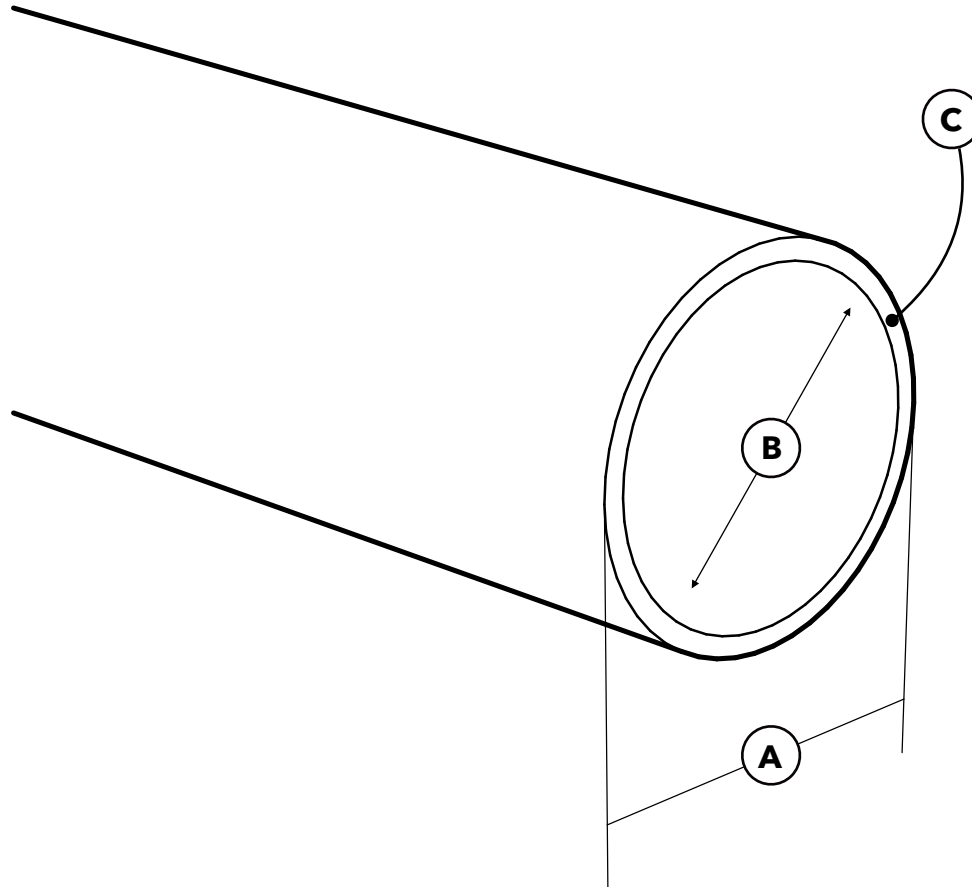


# 1-1/2" Thinwall PVC Pipe

## SPECIFICATIONS

Product SKU: P112TWP



ID	Description	Dimension
A	Outside Diameter	1.900 in.
B	Avg. Inside Dia.	1.750 in.
C	Min. Wall Thickness	0.075 in.
	Weight	0.200 lb./ft.
	Schedule	Thinwall

**NOTICE:** All information within this Technical Specifications document is accurate at the time of document date. Product specifications and/or appearance may change.

